

# SHARP PARTS GUIDE

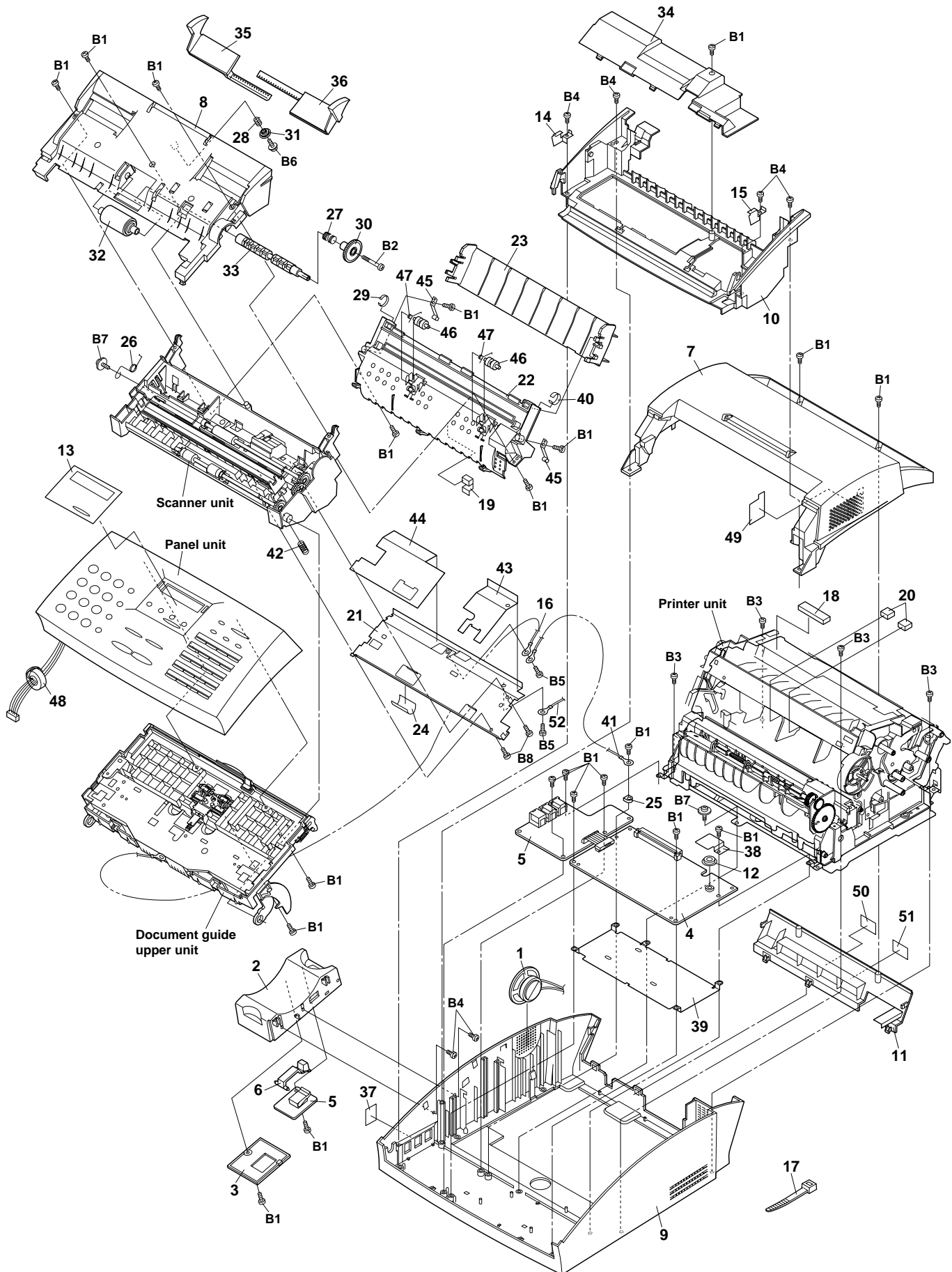
## MODEL **UX-4000M** **FO-2950M**

### CONTENTS

- |   |                           |    |                                |
|---|---------------------------|----|--------------------------------|
| 1 | Cabinet, etc.             | 9  | Fusing unit                    |
| 2 | Operation panel unit      | 10 | Packing material & Accessories |
| 3 | Document guide upper unit | 11 | Control PWB unit               |
| 4 | Drive unit                | 12 | TEL/LIU and Hook SW PWB unit   |
| 5 | Scanner frame unit        | 13 | Printer PWB unit               |
| 6 | Printer frame             | 14 | Power supply PWB unit          |
| 7 | Upper frame               | 15 | Operation panel PWB unit       |
| 8 | Lower frame               | ■  | Index                          |

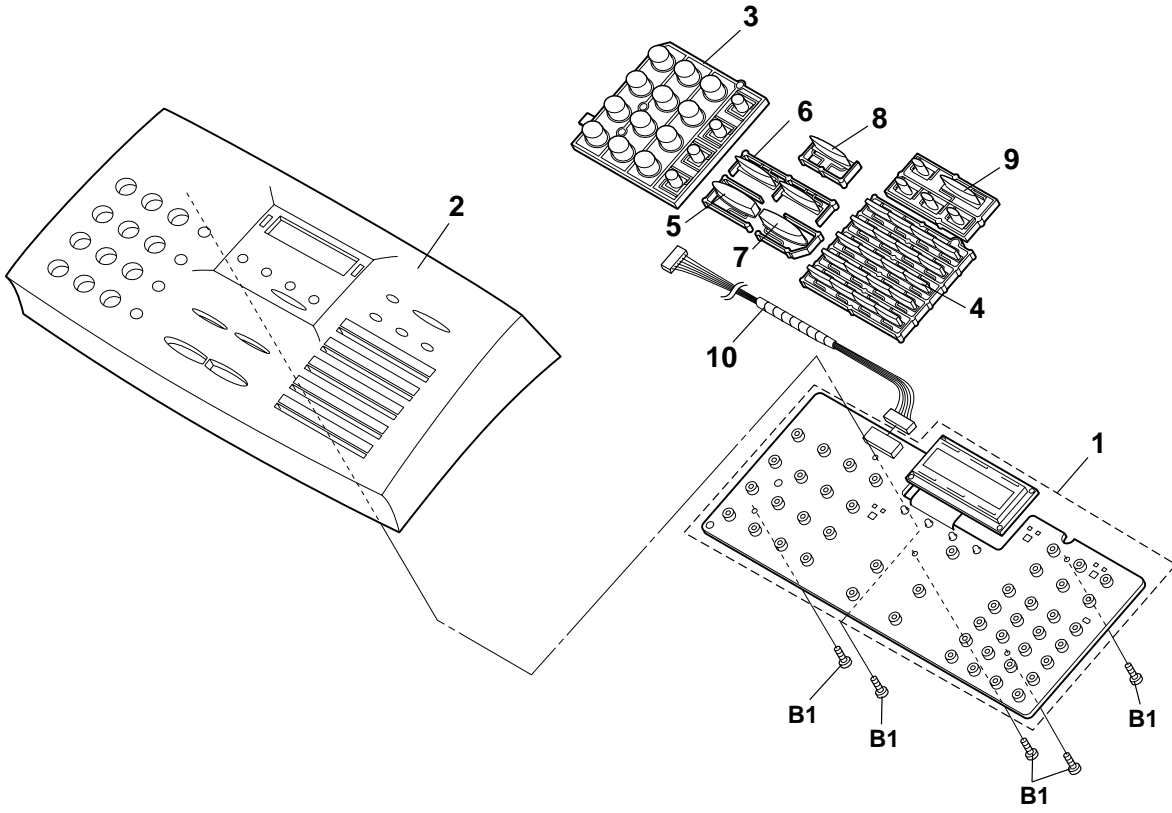
Because parts marked with "△" is indispensable for the machine safety maintenance and operation, it must be replaced with the parts specific to the product specification.

[1] Cabinet, etc.

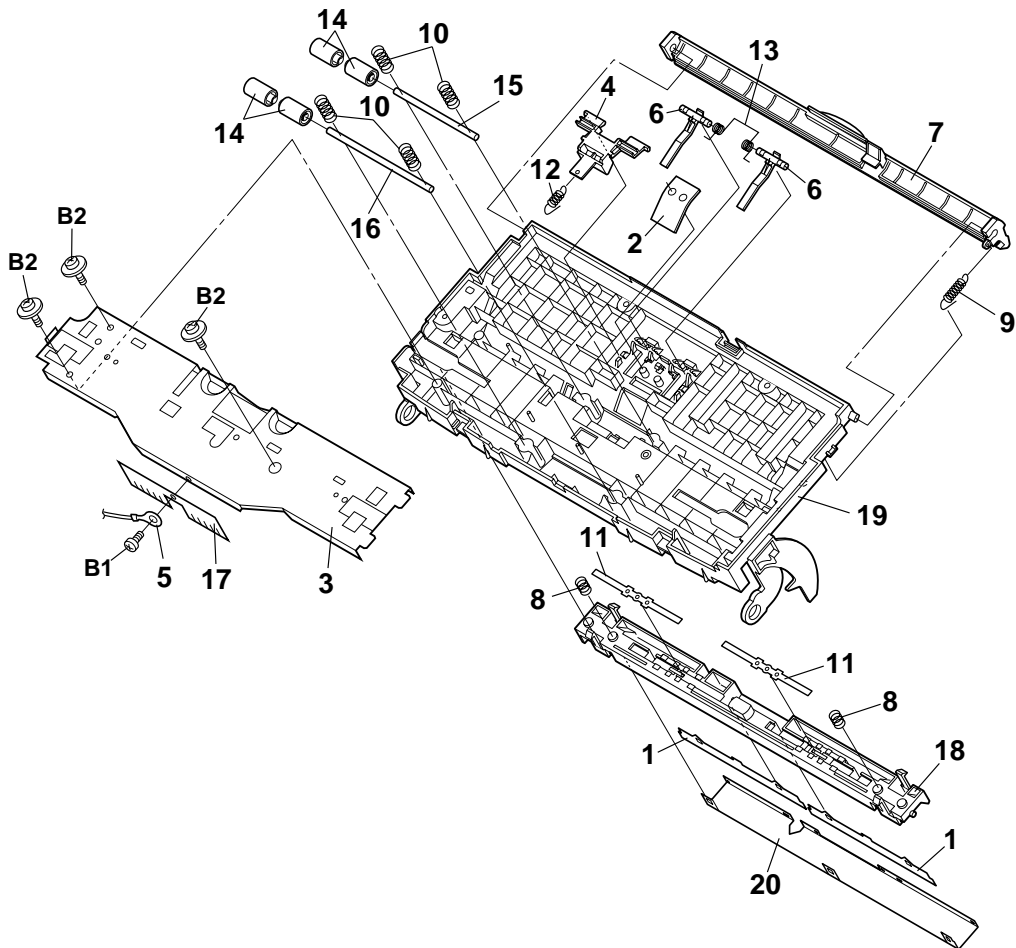


NO.	PARTS CODE	PRICE RANK	NEW MARK	PART RANK	DESCRIPTION
[1] Cabinet, etc.					
1	CCNW-270ASC01		N	C	Speaker ass'y
2	GDAI-2074XHZA	AK	N	C	Handset holder upper [4000MU]
	GDAI-2074XHZZ	AK	N	C	Handset holder upper [2950MU][2950MC]
3	GDAI-2075XHZA	AE	N	C	Handset holder lower [4000MU]
	GDAI-2075XHZZ	AE	N	C	Handset holder lower [2950MU][2950MC]
4	DCEKC180NSCZZ	AH	N	E	Control PWB unit [4000MU]
	DCEKC388NSCZZ	AH	N	E	Control PWB unit [2950MU]
	DCEKC886NSCZZ	AH	N	E	Control PWB unit [2950MC]
5	DCEKL222CSC01	BF	N	E	TEL/LIU and Hook SW PWB unit
6	MLEVP2332SCZZ	AD	N	C	Fook switch lever
7	GCABA2350SCZZ	AU	N	D	Upper cabinet [4000MU]
	GCABA2350SCZA	AH	N	D	Upper cabinet [2950MU][2950MC]
8	GCABB2351SCZZ	AN	N	C	Document guide lower [4000MU]
	GCABB2351SCZA	AN	N	C	Document guide lower [2950MU][2950MC]
9	GCABC2352SCZZ	AW	N	D	Bottom cabinet [4000MU]
	GCABC2352SCZA	AW	N	D	Bottom cabinet [2950MU][2950MC]
10	GCABD2353SCZZ	AP	N	D	Inner cabinet [4000MU]
	GCABD2353SCZA	AP	N	D	Inner cabinet [2950MU][2950MC]
11	GCOVA2418SCZZ	AL	N	D	Back cover [4000MU]
	GCOVA2418SCZA	AL	N	D	Back cover [2950MU][2950MC]
12	LBSHZ2007HCZZ	AB		C	SW spacer
13	HPNLH2398SCZZ	AK	N	C	Decoration panel
14	LANGA2828SCZZ	AD	N	C	Stopper bracket,left
15	LANGA2830SCZZ	AD	N	C	Stopper bracket,right
16	QCNW-285ASCZZ	AH	N	C	Ground cable B
17	LBNDJ2006SCZZ	AA		C	Band(100mm)
18	TCAUS2034SCZZ		N	D	Laser caution label
19	PGUMS2169SCZZ		N	C	FD guide sheet
20	LSTPP0022GCZZ	AD		C	DV protector
21	LANGH2829SCZZ	AG	N	C	Scanner strengthen plate
22	PGIDM2584SCZZ	AD	N	C	Feed guide [4000MU]
	PGIDM2584SCZA	AD	N	C	Feed guide [2950MU][2950MC]
23	LPLTP3089SCZZ	AD	N	C	Shading plate [4000MU]
	LPLTP3089SCZA	AD	N	C	Shading plate [2950MU][2950MC]
24	PSHEZ3534SCZZ		N	C	SF insulation sheet M
25	LANGR2833SCZZ		N	C	Earth bracket
26	MSPRC3161SCZZ	AC	N	C	Stopper spring
27	MSPRC3165SCZZ	AC	N	C	Clutch spring
28	MSPRC3166SCZZ	AB	N	C	Hopper spring
29	PSHEZ3539SCZA		N	C	Paper out guide sheet B
30	NGERH2363AXZZ	AC		C	Paper feed gear
31	NGERP2318XHZZ	AD		C	Pinion gear
32	NROLR2333XHZZ	AP		C	Paper feed roller
33	NSFTZ2321SCZZ	AE	N	C	Paper feed roller shaft
34	PCOVP2127SCZZ	AK	N	D	ROM cover [4000MU]
	PCOVP2127SCZA	AK	N	D	ROM cover [2950MU][2950MC]
35	PGIDM2585SCZZ	AF	N	C	Hopper guide,left [4000MU]
	PGIDM2585SCZA	AF	N	C	Hopper guide,left [2950MU][2950MC]
36	PGIDM2586SCZZ	AF	N	C	Hopper guide,right [4000MU]
	PGIDM2586SCZA	AF	N	C	Hopper guide,right [2950MU][2950MC]
37	PSHEZ3508SCZZ		N	C	Jack sheet
38	PSHEZ3522SCZZ	AD	N	C	Reset sheet
39	PSLDM2063SCZZ	AF	N	C	Shield plate
40	PSHEZ3538SCZA		N	C	Paper out guide sheet A
41	QCNW-343ASCZZ		N	C	Ground cable D
42	MSPRC3177SCZZ		N	C	CIS earth spring
43	PSHEZ3529SCZZ		N	C	SF insulation sheet L
44	PSHEZ3530SCZZ		N	C	SF insulation sheet R
45	MSPRP3054XHFJ	AD		C	Panel lock spring
46	NROLP2332XHZZ	AD		C	Paper out pinch roller
47	MSPRC3154SCZZ	AB	N	C	Paper out pinch spring
48	RCORF2125XHZZ	AE		B	Core
49	PSHEZ3531SCZZ		N	C	Shading sheet
50	TLABG443BSCZZ		N	D	Noise label [2950MC]
51	TLABS442BSCZZ		N	D	IC label [2950MC]
52	QCNW-342ASCZZ		N	C	Ground cable C
B1	XEBSD30P10000	AA		C	Screw(3x10)
B2	XEBSD30P30000	AA		C	Screw(3x30)
B3	XEBSE30P08000	AA		C	Screw(3x8)
B4	XEBSF30P12000	AA		C	Screw(3x12)
B5	XHBSE30P06000	AA		C	Screw(3x6)
B6	LX-BZ2138XHZZ	AB		C	Screw(2x6)
B7	LX-BZ2205SCZZ	AB	N	C	Screw(3x8)
B8	LX-BZ1006LC03	AA	N	C	Screw

[2] Operation panel unit



[3] Document guide upper unit

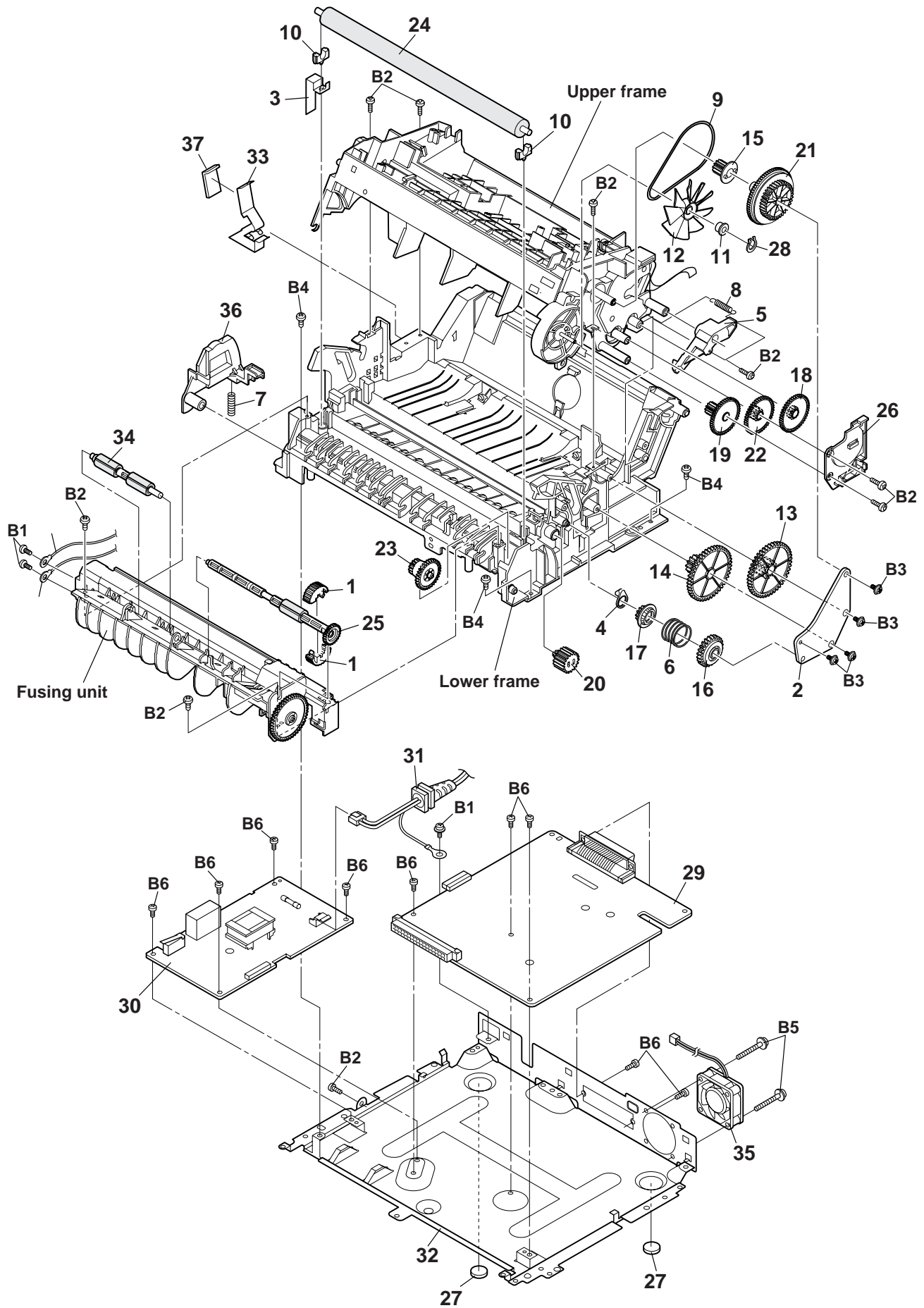








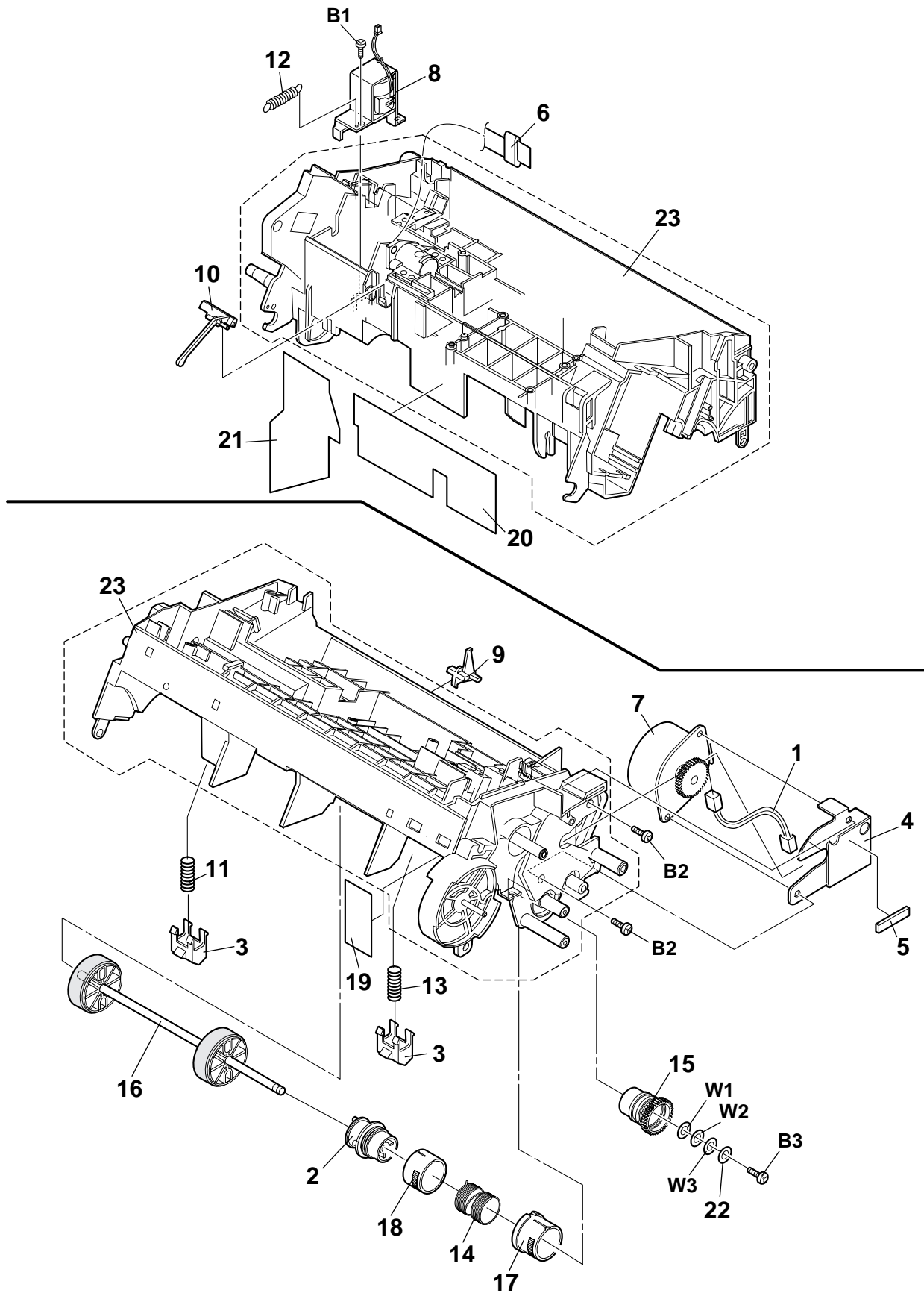
[6] Printer frame





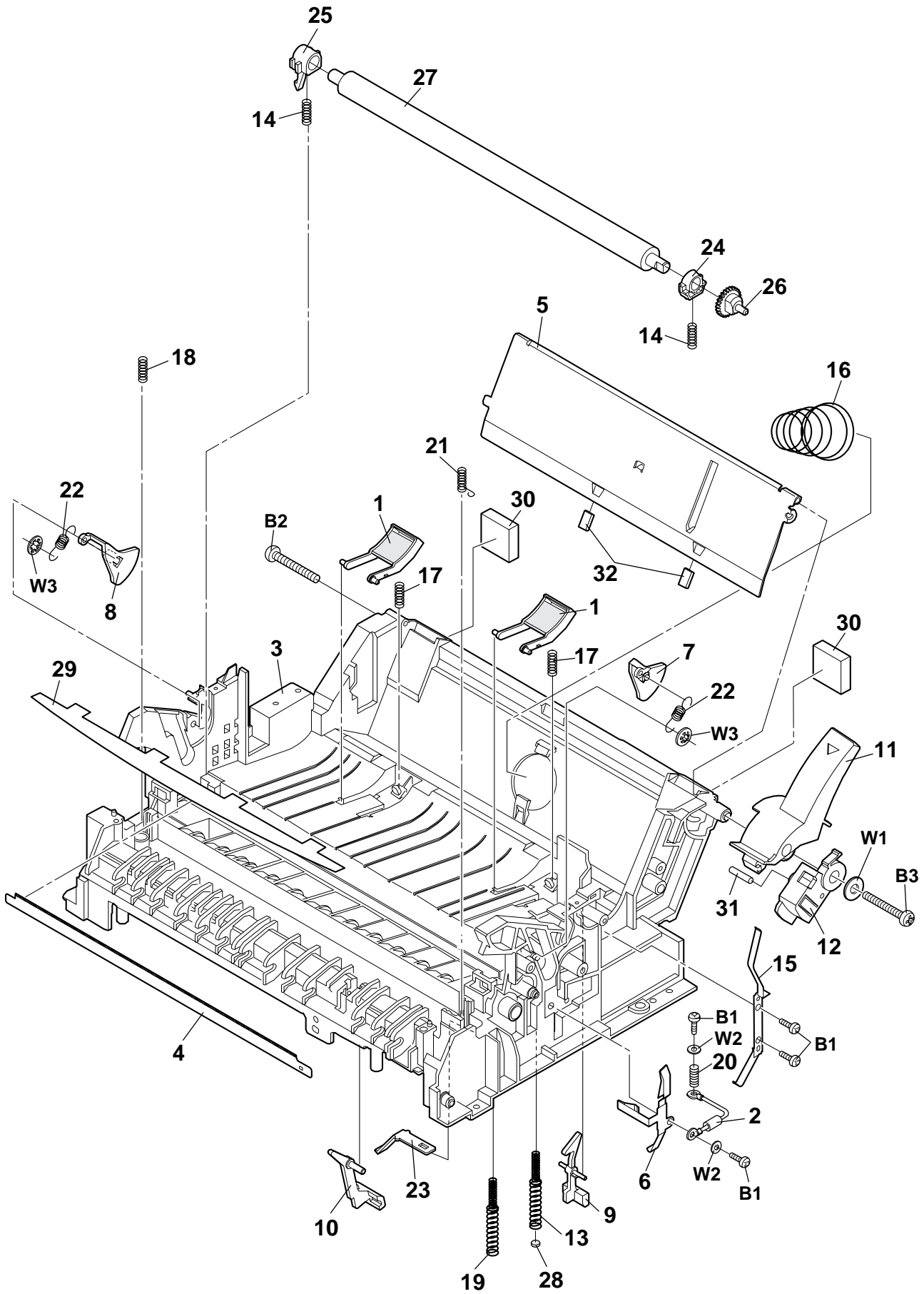


[7] Upper frame



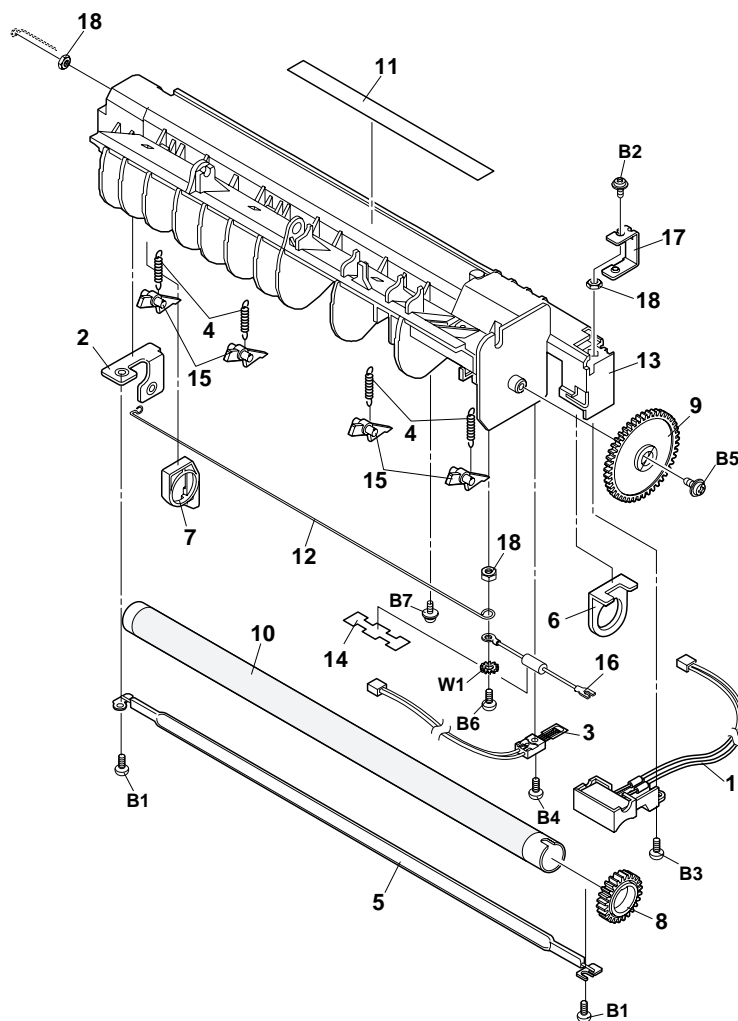


[8] Lower frame



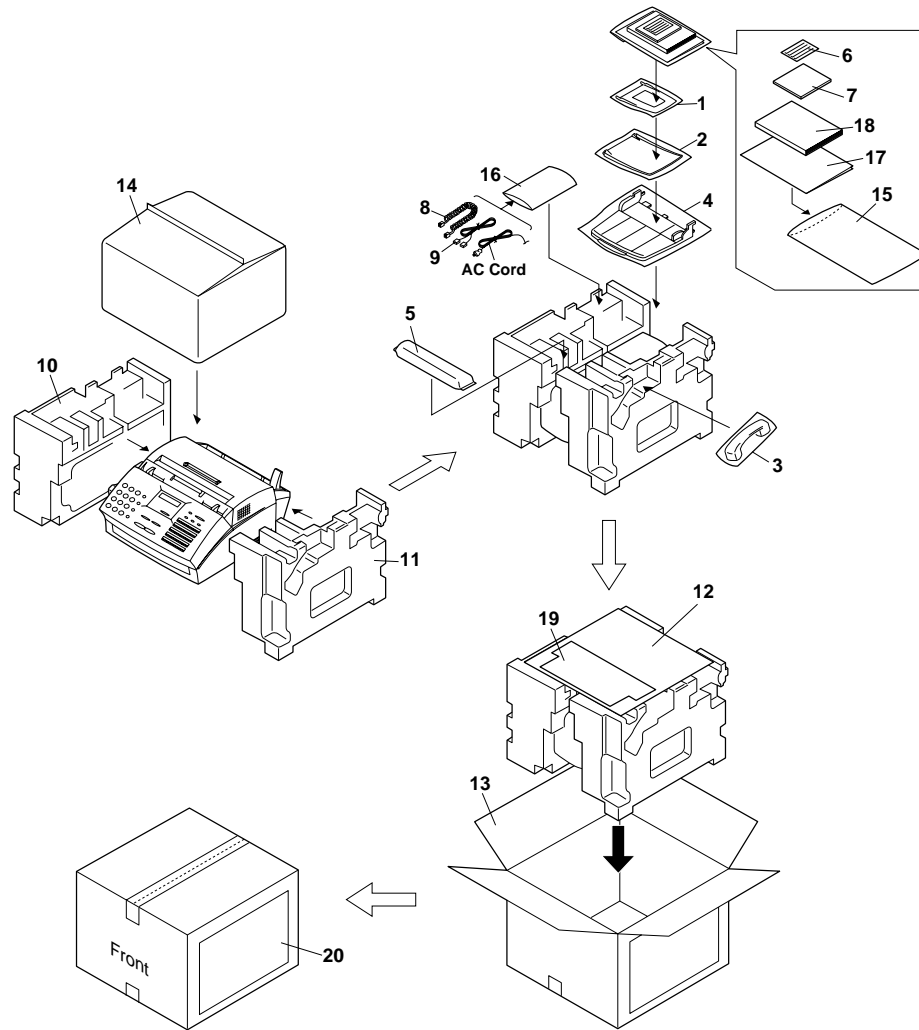


[9] Fusing unit



NO.	PARTS CODE	PRICE RANK	NEW MARK	PART RANK	DESCRIPTION
[9] Fusing unit					
1	CHLDZ0040PS73	AR		E	Temperature fuse holder
2	QSLP-0030GCZZ	AD	N	C	Fusing AC terminal C
3	RDTCT0014GCZZ	AP		B	Thermistor
4	MSPRT0308GCZZ	AA		C	Fusing separate spring
5	RLMPU0021GCZZ	AX		B	Heater lamp
6	NBRGC0035GCZ1	AE		C	Fusing bearing R
7	NBRGP0082GCZZ	AB		C	Fusing bearing L
8	NGERH0083GCZZ	AC		C	Fusing gear(27T)
9	NGERH0174GCZZ	AD		C	Paper out idler gear
10	NROLM0108GCZ1	AV	N	C	Heat roller
11	TCAUH0992FCZZ	AE		D	Caution label
12	PBARM0001GCA1	AD		C	Fusing bar
13	PCOVP0091GCZZ	AW	N	C	Fusing cover
14	PSHEP0161GCZ2	AC		C	Fuse sheet
15	PTME-0022GCZZ	AF		C	Separate nail
16	QFS-T0005GCZZ	AQ		A	Temperature fuse
17	QSLP-0029GCZZ	AD		C	Fusing terminal
18	XNGSN30-18000	AC		C	Nut(M3)
B1	XBPSN30P05K00	AA	N	C	Screw(3x5)
B2	XBPSN30P06KS0	AA		C	Screw(3x6)
B3	XEBSD30P08000	AA		C	Screw(3x8)
B4	XEBSD30P10000	AA		C	Screw(3x10)
B5	XEPSD30P06X00	AA		C	Screw(3x6)
B6	LX-BZ0030GCZZ	AB		C	Screw
B7	LX-BZ3004SC0B	AA		C	Screw
W1	XWVUW30-04000	AA		C	Washer
	(Unit)				
901	DUNTW221CSC01	AH	N	E	Fusing unit

[10] Packing material & Accessories



NO.	PARTS CODE	PRICE RANK	NEW MARK	PART RANK	DESCRIPTION
<b>[10] Packing material &amp; Accessories</b>					
1	CPLTP3084SC01	AF	N	C	Original document support ass'y
2	CPLTP3088SC01	AH	N	C	Received document tray ass'y [4000MU]
	CPLTP3088SC02	AH	N	C	Received document tray ass'y [2950MU][2950MC]
3	DUNTK369BSCWH	AR	N	E	Handset unit [4000MU]
	DUNTK369BSCOG	AR	N	E	Handset unit [2950MU][2950MC]
4	CPLTP3085SC01	AT	N	C	Paper tray ass'y [4000MU]
	CPLTP3085SC02	AT	N	C	Paper tray ass'y [2950MU]
	CPLTP3085SC05	AT	N	C	Paper tray ass'y [2950MC]
5	DUNT-205CSCZZ		N	S	Toner cartridge(Initial starter cartridge)
6	TLABM311BSCZZ	AE	N	D	Rapid key labels [4000MU]
	TLABM311BSCZA	AE	N	D	Rapid key labels [2950MU][2950MC]
7	UDSKA2024SCZZ	AK	N	E	Sharp laser multifunction CD-ROM
8	QCNW-289ASCOW	AG	N	C	Handset cord [4000MU]
	QCNW-289ASCOG		N	C	Handset cord [2950MU][2950MC]
9	QCNW-290ASCZZ	AE	N	C	Telephone line cord
10	SPAKA315BSCZZ	AK	N	D	Add.,left
11	SPAKA316BSCZZ	AK	N	D	Add.,right
12	SPAKA317BSCZZ	AE	N	D	Add.
13	SPAKC319BSCZZ	BS	N	D	Packing case [4000MU]
	SPAKC391BSCZZ		N	D	Packing case [2950MU]
	SPAKC455BSCZZ		N	D	Packing case [2950MC]
14	SPAKP355BSCZZ	AE	N	D	Body cover
15	SSAKA2340QCZZ	AA		D	Bag,operation manual
16	SSAKA3001CCZZ	AA		D	Bag(140x360mm)
17	TLABZ308BSCZZ	AE	N	D	Quick setup guide [4000MU]
18	TINSE4086SCZZ	AG	N	D	Operation manual [4000MU]
	TINSE4094SCZZ		N	D	Operation manual [2950MU]
	TINSK4119SCZZ		N	D	Operation manual [2950MC]
19	TLABH312BSCZZ	AF	N	D	Pop card [4000MU]
20	TLABM307BSCZZ	AD	N	D	Box label [4000MU]
	TLABM459BSCZZ		N	D	Box label [2950MC]

NO.	PARTS CODE	PRICE RANK	NEW MARK	PART RANK	DESCRIPTION
[11] Control PWB unit					
1	UBATL2049SCZZ	AF		B	Battery(CR2032T23) [BAT]
2	RR-DZ1115AFZZ	AC	N	C	Resistor array(10KΩx4) [BR1]
3	RR-DZ1115AFZZ	AC	N	C	Resistor array(10KΩx4) [BR2]
4	RR-DZ1115AFZZ	AC	N	C	Resistor array(10KΩx4) [BR3]
5	RR-DZ1115AFZZ	AC	N	C	Resistor array(10KΩx4) [BR4]
6	RR-TZ3016SCZZ	AA		C	Resistor array(33Ωx4) [BR5]
7	RR-TZ3016SCZZ	AA		C	Resistor array(33Ωx4) [BR6]
8	RR-TZ3016SCZZ	AA		C	Resistor array(33Ωx4) [BR7]
9	RR-TZ3016SCZZ	AA		C	Resistor array(33Ωx4) [BR8]
10	RR-TZ3016SCZZ	AA		C	Resistor array(33Ωx4) [BR9]
11	RR-DZ1115AFZZ	AC	N	C	Resistor array(10KΩx4) [BR11]
12	RR-DZ1115AFZZ	AC	N	C	Resistor array(10KΩx4) [BR12]
13	RR-DZ1115AFZZ	AC	N	C	Resistor array(10KΩx4) [BR13]
14	RR-DZ1115AFZZ	AC	N	C	Resistor array(10KΩx4) [BR14]
15	RR-TZ3012SC10	AB	N	C	Resistor array(10Ωx4) [BR15]
16	RR-TZ3017SCZZ	AC		C	Resistor array(270Ωx4) [BR16]
17	RR-TZ3018SCZZ	AC		C	Resistor array(470Ωx4) [BR17]
18	RR-DZ1115AFZZ	AC	N	C	Resistor array(10KΩx4) [BR18]
19	RR-DZ1115AFZZ	AC	N	C	Resistor array(10KΩx4) [BR19]
20	RR-DZ1115AFZZ	AC	N	C	Resistor array(10KΩx4) [BR21]
21	RR-TZ3016SCZZ	AA		C	Resistor array(33Ωx4) [BR22]
22	RR-TZ3016SCZZ	AA		C	Resistor array(33Ωx4) [BR23]
23	RR-TZ3016SCZZ	AA		C	Resistor array(33Ωx4) [BR24]
24	RR-TZ3016SCZZ	AA		C	Resistor array(33Ωx4) [BR25]
25	RR-TZ3018SCZZ	AC		C	Resistor array(470Ωx4) [BR26]
26	RR-DZ1115AFZZ	AC	N	C	Resistor array(10KΩx4) [BR27]
27	RR-DZ1115AFZZ	AC	N	C	Resistor array(10KΩx4) [BR28]
28	RR-DZ1115AFZZ	AC	N	C	Resistor array(10KΩx4) [BR29]
29	RR-DZ1115AFZZ	AC	N	C	Resistor array(10KΩx4) [BR30]
30	VCEAJA1HW475M	AB	N	C	Capacitor(50WV 4.7μF) [C1]
31	VCEAJA1HW106M	AB		C	Capacitor(50WV 10μF) [C2]
32	VCEAJA1HW106M	AB		C	Capacitor(50WV 10μF) [C3]
33	VCEAJA1HW106M	AB		C	Capacitor(50WV 10μF) [C7]
34	VCEAGA1CW476M	AB		C	Capacitor(16WV 47μF) [C8]
35	VCEAGA1CW476M	AB		C	Capacitor(16WV 47μF) [C9]
36	VCEAGA1CW476M	AB		C	Capacitor(16WV 47μF) [C10]
37	VCEAGA1HW105M	AB		C	Capacitor(50WV 1μF) [C12]
38	VCEAGA1HW475M	AA		C	Capacitor(50WV 4.7μF) [C13]
39	VCEAGA1CW476M	AB		C	Capacitor(16WV 47μF) [C14]
40	VCEAGA1CW476M	AB		C	Capacitor(16WV 47μF) [C15]
41	VCEAGA1HW107M	AA		C	Capacitor(50WV 100μF) [C16]
42	VCEAEA1CW476M	AA		C	Capacitor(16WV 47μF) [C18]
43	VCEAEA1CW476M	AA		C	Capacitor(16WV 47μF) [C20]
44	VCEAEA1CW336M	AB		C	Capacitor(16WV 33μF) [C21]
45	VCKYTV1HB102K	AA		C	Capacitor(50WV 1000PF) [C100]
46	VCKYTV1HF104Z	AA		C	Capacitor(50WV 0.1μF) [C101]
47	VCKYTV1EF104Z	AA		C	Capacitor(25WV 0.1μF) [C102]
48	VCKYTV1EF104Z	AA		C	Capacitor(25WV 0.1μF) [C103]
49	RC-KZ1220AFZZ	AD	N	C	Capacitor(2.2μF) [C104]
50	VCKYTV1HB103K	AB		C	Capacitor(50WV 0.01μF) [C107]
51	VCKYTV1HB103K	AB		C	Capacitor(50WV 0.01μF) [C108]
52	VCKYTV1EF104Z	AA		C	Capacitor(25WV 0.1μF) [C109]
53	VCCCTV1HH180J	AA		C	Capacitor(50WV 18PF) [C110]
54	VCCCTV1HH180J	AA		C	Capacitor(50WV 18PF) [C111]
55	VCCCTV1HH180J	AA		C	Capacitor(50WV 18PF) [C112]
56	VCCCTV1HH180J	AA		C	Capacitor(50WV 18PF) [C113]
57	VCCCTV1HH180J	AA		C	Capacitor(50WV 18PF) [C114]
58	VCCCTV1HH180J	AA		C	Capacitor(50WV 18PF) [C115]
59	VCCCTV1HH180J	AA		C	Capacitor(50WV 18PF) [C116]
60	VCCCTV1HH180J	AA		C	Capacitor(50WV 18PF) [C117]
61	VCCCTV1HH180J	AA		C	Capacitor(50WV 18PF) [C118]
62	VCCCTV1HH180J	AA		C	Capacitor(50WV 18PF) [C120]
63	VCCCTV1HH180J	AA		C	Capacitor(50WV 18PF) [C121]
64	RC-KZ1220AFZZ	AD	N	C	Capacitor(2.2μF) [C122]
65	VCKYTV1HB222K	AA		C	Capacitor(50WV 2200PF) [C123]
66	VCKYTV1HB222K	AA		C	Capacitor(50WV 2200PF) [C124]
67	VCKYTV1HB222K	AA		C	Capacitor(50WV 2200PF) [C125]
68	VCKYTV1HB222K	AA		C	Capacitor(50WV 2200PF) [C126]
69	VCKYTV1HB222K	AA		C	Capacitor(50WV 2200PF) [C127]
70	VCKYTV1CF105Z	AB		C	Capacitor(16WV 1μF) [C129]
71	VCKYTV1CF105Z	AB		C	Capacitor(16WV 1μF) [C131]
72	VCKYTV1EB104K	AA		C	Capacitor(25WV 0.1μF) [C132]
73	RC-KZ1220AFZZ	AD	N	C	Capacitor(2.2μF) [C133]
74	VCKYTV1CF105Z	AB		C	Capacitor(16WV 1μF) [C134]
75	VCKYTV1CF105Z	AB		C	Capacitor(16WV 1μF) [C135]
76	VCKYTV1CF105Z	AB		C	Capacitor(16WV 1μF) [C136]
77	VCKYTV1CF105Z	AB		C	Capacitor(16WV 1μF) [C137]
78	VCKYTV1EF104Z	AA		C	Capacitor(25WV 0.1μF) [C138]
79	VCKYTV1EF104Z	AA		C	Capacitor(25WV 0.1μF) [C139]
80	VCKYTV1EF104Z	AA		C	Capacitor(25WV 0.1μF) [C142]



NO.	PARTS CODE	PRICE RANK	NEW MARK	PART RANK	DESCRIPTION	
[11] Control PWB unit						
81	VCKYTV1EF104Z	AA		C	Capacitor(25WV 0.1μF)	[C143]
82	VCCCTV1HH180J	AA		C	Capacitor(50WV 18PF)	[C144]
83	VCCCTV1HH180J	AA		C	Capacitor(50WV 18PF)	[C145]
84	VCCCTV1HH180J	AA		C	Capacitor(50WV 18PF)	[C146]
85	VCCCTV1HH180J	AA		C	Capacitor(50WV 18PF)	[C147]
86	VCCCTV1HH180J	AA		C	Capacitor(50WV 18PF)	[C148]
87	VCCCTV1HH180J	AA		C	Capacitor(50WV 18PF)	[C149]
88	VCCCTV1HH180J	AA		C	Capacitor(50WV 18PF)	[C150]
89	VCKYTV1EF104Z	AA		C	Capacitor(25WV 0.1μF)	[C151]
90	VCCCTV1HH180J	AA		C	Capacitor(50WV 18PF)	[C152]
91	VCCCTV1HH180J	AA		C	Capacitor(50WV 18PF)	[C153]
92	VCCCTV1HH180J	AA		C	Capacitor(50WV 18PF)	[C155]
93	VCCCTV1HH180J	AA		C	Capacitor(50WV 18PF)	[C156]
94	RC-KZ1220AFZZ	AD	N	C	Capacitor(2.2μF)	[C157]
95	RC-KZ1220AFZZ	AD	N	C	Capacitor(2.2μF)	[C159]
96	RC-KZ1220AFZZ	AD	N	C	Capacitor(2.2μF)	[C160]
97	VCCCTV1HH270J	AC		C	Capacitor(50WV 27PF)	[C162]
98	VCCCTV1HH270J	AC		C	Capacitor(50WV 27PF)	[C163]
99	VCKYTV1EF104Z	AA		C	Capacitor(25WV 0.1μF)	[C164]
100	VCKYTV1EB104K	AA		C	Capacitor(25WV 0.1μF)	[C165]
101	VCCCTV1HH330J	AA		C	Capacitor(50WV 33PF)	[C166]
102	RC-KZ1220AFZZ	AD	N	C	Capacitor(2.2μF)	[C167]
103	VCKYTV1CF105Z	AB		C	Capacitor(16WV 1μF)	[C168]
104	VCCCTV1HH120J	AA		C	Capacitor(50WV 12PF)	[C169]
105	VCKYTV1CF105Z	AB		C	Capacitor(16WV 1μF)	[C170]
106	VCKYTV1CF105Z	AB		C	Capacitor(16WV 1μF)	[C171]
107	VCCSTV1HL331J	AA		C	Capacitor(50WV 330PF)	[C172]
108	VCKYTV1EF104Z	AA		C	Capacitor(25WV 0.1μF)	[C173]
109	VCKYTV1EF104Z	AA		C	Capacitor(25WV 0.1μF)	[C176]
110	RC-KZ1220AFZZ	AD	N	C	Capacitor(2.2μF)	[C179]
111	RC-KZ1220AFZZ	AD	N	C	Capacitor(2.2μF)	[C180]
112	RC-KZ1220AFZZ	AD	N	C	Capacitor(2.2μF)	[C181]
113	VCKYTV1HB102K	AA		C	Capacitor(50WV 1000PF)	[C182]
114	VCKYTV1HB222K	AA		C	Capacitor(50WV 2200PF)	[C183]
115	VCKYTV1HB472K	AA		C	Capacitor(50WV 4700PF)	[C185]
116	VCKYTV1HB472K	AA		C	Capacitor(50WV 4700PF)	[C186]
117	VCKYTV1HB472K	AA		C	Capacitor(50WV 4700PF)	[C187]
118	VCKYTV1HB472K	AA		C	Capacitor(50WV 4700PF)	[C188]
119	VCKYTV1EB104K	AA		C	Capacitor(25WV 0.1μF)	[C196]
120	VCKYTV1EB104K	AA		C	Capacitor(25WV 0.1μF)	[C197]
121	VCKYTV1CF105Z	AB		C	Capacitor(16WV 1μF)	[C198]
122	VCKYTV1EB103K	AA	N	C	Capacitor(25WV 0.01μF)	[C199]
123	VCKYTV1HB222K	AA		C	Capacitor(50WV 2200PF)	[C200]
124	VCKYTV1CF105Z	AB		C	Capacitor(16WV 1μF)	[C201]
125	VCKYTV1CF105Z	AB		C	Capacitor(16WV 1μF)	[C202]
126	VCCCTV1HH120J	AA		C	Capacitor(50WV 12PF)	[C203]
127	VCKYTV1EF104Z	AA		C	Capacitor(25WV 0.1μF)	[C204]
128	VCKYTV1CF105Z	AB		C	Capacitor(16WV 1μF)	[C208]
129	VCKYTV1CF105Z	AB		C	Capacitor(16WV 1μF)	[C209]
130	VCKYTV1HB222K	AA		C	Capacitor(50WV 2200PF)	[C210]
131	VCKYTV1HB102K	AA		C	Capacitor(50WV 1000PF)	[C211]
132	VCKYTV1HB102K	AA		C	Capacitor(50WV 1000PF)	[C212]
133	VCKYTV1HB222K	AA		C	Capacitor(50WV 2200PF)	[C213]
134	VCCCTV1HH300J	AA		C	Capacitor(50WV 30PF)	[C214]
135	VCCCTV1HH300J	AA		C	Capacitor(50WV 30PF)	[C215]
136	RC-KZ1220AFZZ	AD	N	C	Capacitor(2.2μF)	[C216]
137	VCKYTV1CF105Z	AB		C	Capacitor(16WV 1μF)	[C217]
138	RC-KZ1220AFZZ	AD	N	C	Capacitor(2.2μF)	[C221]
139	VCKYTV1HB102K	AA		C	Capacitor(50WV 1000PF)	[C222]
140	VCKYTV1HB102K	AA		C	Capacitor(50WV 1000PF)	[C223]
141	VCKYTV1EF104Z	AA		C	Capacitor(25WV 0.1μF)	[C224]
142	VCCSTV1HL471J	AC		C	Capacitor(50WV 470PF)	[C226]
143	VCKYTV1HB102K	AA		C	Capacitor(50WV 1000PF)	[C227]
144	VCKYTV1CF105Z	AB		C	Capacitor(16WV 1μF)	[C228]
145	VCCSTV1HL331J	AA		C	Capacitor(50WV 330PF)	[C230]
146	VCKYTV1HB472K	AA		C	Capacitor(50WV 4700PF)	[C231]
147	VCKYTV1CF105Z	AB		C	Capacitor(16WV 1μF)	[C236]
148	VCKYTV1CF105Z	AB		C	Capacitor(16WV 1μF)	[C237]
149	VCKYTV1HB222K	AA		C	Capacitor(50WV 2200PF)	[C238]
150	VCKYTV1HB102K	AA		C	Capacitor(50WV 1000PF)	[C241]
151	VCKYTV1HB102K	AA		C	Capacitor(50WV 1000PF)	[C242]
152	VCKYTV1HB102K	AA		C	Capacitor(50WV 1000PF)	[C243]
153	VCKYTV1HB102K	AA		C	Capacitor(50WV 1000PF)	[C244]
154	VCKYTV1CF105Z	AB		C	Capacitor(16WV 1μF)	[C245]
155	VCKYTV1HB102K	AA		C	Capacitor(50WV 1000PF)	[C247]
156	VCCCTV1HH470J	AA		C	Capacitor(50WV 47PF)	[C249]
157	VCKYTV1EF104Z	AA		C	Capacitor(25WV 0.1μF)	[C250]
158	VCKYTV1EF104Z	AA		C	Capacitor(25WV 0.1μF)	[C253]
159	VCKYTV1EF104Z	AA		C	Capacitor(25WV 0.1μF)	[C254]
160	VCKYTV1HB102K	AA		C	Capacitor(50WV 1000PF)	[C256]

NO.	PARTS CODE	PRICE RANK	NEW MARK	PART RANK	DESCRIPTION
[11] Control PWB unit					
161	VCCSTV1HL101J	AA	N	C	Capacitor(50WV 100PF) [C257]
162	VCCSTV1HL101J	AA	N	C	Capacitor(50WV 100PF) [C258]
163	VCKYTV1EF104Z	AA		C	Capacitor(25WV 0.1μF) [C259]
164	VCCCTV1HH120J	AA		C	Capacitor(50WV 12PF) [C260]
165	VCKYTV1CF105Z	AB		C	Capacitor(16WV 1μF) [C261]
166	VCCCTV1HH150J	AA		C	Capacitor(50WV 15PF) [C262]
167	VCCSTV1HL101J	AA	N	C	Capacitor(50WV 100PF) [C263]
168	VCCSTV1HL101J	AA	N	C	Capacitor(50WV 100PF) [C264]
169	VCKYTV1EF104Z	AA		C	Capacitor(25WV 0.1μF) [C266]
170	VCKYTV1EF104Z	AA		C	Capacitor(25WV 0.1μF) [C267]
171	VCKYTV1EF104Z	AA		C	Capacitor(25WV 0.1μF) [C268]
172	VCKYTV1EF104Z	AA		C	Capacitor(25WV 0.1μF) [C273]
173	VCCSTV1HL101J	AA	N	C	Capacitor(50WV 100PF) [C274]
174	VCCCTV1HH180J	AA		C	Capacitor(50WV 18PF) [C275]
175	VCCCTV1HH180J	AA		C	Capacitor(50WV 18PF) [C276]
176	VCCCTV1HH180J	AA		C	Capacitor(50WV 18PF) [C277]
177	VCKYTV1HB102K	AA		C	Capacitor(50WV 1000PF) [C278]
178	VCCCTV1HH470J	AA		C	Capacitor(50WV 47PF) [C279]
179	VCKYTV1HF104Z	AA		C	Capacitor(50WV 0.1μF) [C281]
180	VCKYTV1CF105Z	AB		C	Capacitor(16WV 1μF) [C282]
181	VCKYTV1CF105Z	AB		C	Capacitor(16WV 1μF) [C283]
182	VCKYTV1CF105Z	AB		C	Capacitor(16WV 1μF) [C284]
183	VCCSTV1HL101J	AA	N	C	Capacitor(50WV 100PF) [C285]
184	VCCSTV1HL471J	AC		C	Capacitor(50WV 470PF) [C286]
185	VCCCTV1HH470J	AA		C	Capacitor(50WV 47PF) [C287]
186	VCKYTV1CF105Z	AB		C	Capacitor(16WV 1μF) [C288]
187	VCKYTV1EF104Z	AA		C	Capacitor(25WV 0.1μF) [C289]
188	VCKYTV1HB103K	AB		C	Capacitor(50WV 0.01μF) [C290]
189	VCKYTV1EF104Z	AA		C	Capacitor(25WV 0.1μF) [C291]
190	VCKYTV1HF104Z	AA		C	Capacitor(50WV 0.1μF) [C292]
191	VCKYTV1EF104Z	AA		C	Capacitor(25WV 0.1μF) [C293]
192	VCKYTV1HB472K	AA		C	Capacitor(50WV 4700PF) [C298]
193	VCKYTV1HB472K	AA		C	Capacitor(50WV 4700PF) [C299]
194	VCKYTV1HB102K	AA		C	Capacitor(50WV 1000PF) [C300]
195	VCCCTV1HH470J	AA		C	Capacitor(50WV 47PF) [C301]
196	VCKYTV1EF104Z	AA		C	Capacitor(25WV 0.1μF) [C302]
197	VCCSTV1HL681J	AB		C	Capacitor(50WV 680PF) [C304]
198	VCCCTV1HH150J	AA		C	Capacitor(50WV 15PF) [C305]
199	VCCCTV1HH150J	AA		C	Capacitor(50WV 15PF) [C306]
200	VCKYTV1EF104Z	AA		C	Capacitor(25WV 0.1μF) [C307]
201	VCKYTV1HF104Z	AA		C	Capacitor(50WV 0.1μF) [C308]
202	VCKYTV1HB472K	AA		C	Capacitor(50WV 4700PF) [C317]
203	VCKYTV1HB472K	AA		C	Capacitor(50WV 4700PF) [C318]
204	VCKYTV1EF104Z	AA		C	Capacitor(25WV 0.1μF) [C319]
205	VCKYTV1EF104Z	AA		C	Capacitor(25WV 0.1μF) [C320]
206	RC-KZ1220AFZZ	AD	N	C	Capacitor(2.2μF) [C322]
207	RC-KZ0001RCZZ	AD	N	C	Ceramic capacitor array(MNA145A101KK) [CA1]
208	RC-KZ0001RCZZ	AD	N	C	Ceramic capacitor array(MNA145A101KK) [CA2]
209	RC-KZ0001RCZZ	AD	N	C	Ceramic capacitor array(MNA145A101KK) [CA3]
210	RC-KZ0001RCZZ	AD	N	C	Ceramic capacitor array(MNA145A101KK) [CA4]
211	QCNCM7014SC0G	AB		C	Connector(7pin) [CNCIS]
212	QCNCM7014SC0C	AA		C	Connector(3pin) [CNFUSE]
213	QCNCW2500SC1B	AF		C	Connector(12pin) [CNLIUA]
214	QCNCM7014SC0F	AB		C	Connector(6pin) [CNMT]
215	QCNCM2482SC2B	AE		C	Connector(22pin) [CNPNI]
216	QCNCM2436SC5J	AB		C	Connector(50pin) [CNPRT]
217	QCNCM7014SC0B	AD		C	Connector(2pin) [CNRTH]
218	QCNCM2401SC0B	AA		C	Connector(2pin) [CNSP]
219	VHDDAP202U/-1	AB		B	Diode(DAP202U) [D1]
220	VHD1SS355/-1	AB		B	Diode(1SS355) [D100]
221	VHD1SS355/-1	AB		B	Diode(1SS355) [D101]
222	VHD1SS355/-1	AB		B	Diode(1SS355) [D102]
223	VHHRW0502A-1	AD		B	Diode(HRW0502ATR) [D103]
224	VHDDA204K/-1	AC		B	Diode(DA204K) [D105]
225	VHDDA204K/-1	AC		B	Diode(DA204K) [D107]
226	QFS-P2010SCZZ	AD		B	IC protector(KAB2402) [F100]
227	VHINJM2902M-1	AF		B	IC, OPERATIONAL AMP. (NJM2902M) [IC1]
228	VHIBU4066BCF1	AD		B	IC, ANALOG SW(BU4066) [IC2]
229	VHILC82103/-1	BA		B	IC, IMAGE SIGNAL PROCESSOR(LC82103) [IC4]
230	VHISH7041/28A		N	B	IC, 32bit RISC MICROPROCESSOR(SH7041) [IC5]
231	VHIULN2003AN/	AE		B	IC, DRIVER (ULN2003A) [IC6]
232	VHICF4053M1T	AG		B	IC, ANALOG SW(HCF4053) [IC7]
233	VHIFM214///-1	BE	N	B	IC, 14400bps FAX MODEM(FM214) [IC8]
234	VHINJM2113M-1	AG		B	IC, SPEAKER AMP(NJM2113M) [IC9]
235	VHI1M16E//J-6	AZ		B	IC, 16Mbit DRAM(HY5118164) [IC11]
236	VHI1M16E//J-6	AZ		B	IC, 16Mbit DRAM(HY5118164) [IC13]
237	QSOCZ2067SC42		N	C	IC socket(42pin) [IC14]
238	VHI27080FAM0D		N	B	IC, EPROM(8Mbit) [IC14][4000MU]
	VHI27080FAN0B		N	B	IC, EPROM(8Mbit) [IC14][2950MU]
	VHI27080FAP0A		N	B	IC, EPROM(8Mbit) [IC14][2950MC]

NO.	PARTS CODE	PRICE RANK	NEW MARK	PART RANK	DESCRIPTION	
[11] Control PWB unit						
239	VHILR38784/-1		N	B	IC,GATE ARRAY(LR38784B)	[IC15]
240	VHISM8578BV-1	AK		B	IC,REAL TIME CLOCK(SM8578BV)	[IC16]
241	RH-IX2129SCZZ	AY		B	IC,512Kx8bit DRAM(M514800C-70J)	[IC17]
242	VHI74HCU04S-1	AF		B	IC,INVERTER(74HCU04)	[IC18]
243	VHIPST596CMT1	AF		B	IC,SYSTEM RESET(PST596)	[IC20]
244	VHIW24010S7LE	AZ		B	IC,1Mbit SRAM(W24010S-70LE)	[IC21]
245	RCILZ0006GCZZ	AC	N	C	Coil	[L100]
246	VS2SC4081R/-1	AB		B	Transistor(2SC4081R)	[Q1]
247	VS2SA1037KS-1	AB		B	Transistor(2SA1037)	[Q100]
248	VS2SA1037KS-1	AB		B	Transistor(2SA1037)	[Q101]
249	VS2SA1036KR-1	AC		B	Transistor(2SA1036)	[Q102]
250	VSDTC114EK/-1	AB		B	Transistor(DTC114EK)	[Q103]
251	VRD-HT2EY100J	AA		C	Resistor(1/4W 10Ω ±5%)	[R1]
252	VRS-TS2AD152J	AA		C	Resistor(1/10W 1.5KΩ ±5%)	[R100]
253	VRS-TS2AD473J	AA		C	Resistor(1/10W 47KΩ ±5%)	[R101]
254	VRSTS2AD1002F	AB		C	Resistor(1/10W 10KΩ ±1%)	[R108]
255	VRS-TS2AD000J	AA		C	Resistor(1/10W 0Ω ±5%)	[R109]
256	VRS-TS2AD222J	AA		C	Resistor(1/10W 2.2KΩ ±5%)	[R116]
257	VRS-TS2AD680J	AA		C	Resistor(1/10W 68Ω ±5%)	[R117]
258	VRS-TS2AD103J	AA		C	Resistor(1/10W 10KΩ ±5%)	[R119]
259	VRS-TS2AD000J	AA		C	Resistor(1/10W 0Ω ±5%)	[R120]
260	VRS-TS2AD680J	AA		C	Resistor(1/10W 68Ω ±5%)	[R121]
261	VRS-TS2AD101J	AA		C	Resistor(1/10W 100Ω ±5%)	[R122]
262	VRS-TS2AD330J	AA		C	Resistor(1/10W 33Ω ±5%)	[R123]
263	VRS-TS2AD103J	AA		C	Resistor(1/10W 10KΩ ±5%)	[R124]
264	VRS-TS2AD330J	AA		C	Resistor(1/10W 33Ω ±5%)	[R125]
265	VRS-TS2AD330J	AA		C	Resistor(1/10W 33Ω ±5%)	[R126]
266	VRS-TS2AD680J	AA		C	Resistor(1/10W 68Ω ±5%)	[R127]
267	VRS-TS2AD680J	AA		C	Resistor(1/10W 68Ω ±5%)	[R128]
268	VRS-TS2AD101J	AA		C	Resistor(1/10W 100Ω ±5%)	[R129]
269	VRS-TS2AD101J	AA		C	Resistor(1/10W 100Ω ±5%)	[R130]
270	VRS-TS2AD101J	AA		C	Resistor(1/10W 100Ω ±5%)	[R131]
271	VRS-TS2AD000J	AA		C	Resistor(1/10W 0Ω ±5%)	[R132]
272	VRS-TS2AD103J	AA		C	Resistor(1/10W 10KΩ ±5%)	[R133]
273	VRS-TS2AD000J	AA		C	Resistor(1/10W 0Ω ±5%)	[R134]
274	VRS-TS2AD623J	AA		C	Resistor(1/10W 62KΩ ±5%)	[R137]
275	VRS-TS2AD152J	AA		C	Resistor(1/10W 1.5KΩ ±5%)	[R138]
276	VRS-TS2AD102J	AA	N	C	Resistor(1/10W 1KΩ ±5%)	[R139]
277	VRS-TS2AD222J	AA		C	Resistor(1/10W 2.2KΩ ±5%)	[R141]
278	VRS-TS2AD000J	AA		C	Resistor(1/10W 0Ω ±5%)	[R142]
279	VRS-TS2AD000J	AA		C	Resistor(1/10W 0Ω ±5%)	[R143]
280	VRS-TS2AD101J	AA		C	Resistor(1/10W 100Ω ±5%)	[R144]
281	VRS-TS2AD680J	AA		C	Resistor(1/10W 68Ω ±5%)	[R145]
282	VRS-TS2AD101J	AA		C	Resistor(1/10W 100Ω ±5%)	[R146]
283	VRS-TS2AD103J	AA		C	Resistor(1/10W 10KΩ ±5%)	[R147]
284	VRS-TS2AD124J	AA		C	Resistor(1/10W 120KΩ ±5%)	[R148]
285	VRS-TS2AD333J	AA		C	Resistor(1/10W 33KΩ ±5%)	[R149]
286	VRS-TS2AD105J	AA		C	Resistor(1/10W 1MΩ ±5%)	[R150]
287	VRS-TS2AD000J	AA		C	Resistor(1/10W 0Ω ±5%)	[R154]
288	VRS-TS2AD101J	AA		C	Resistor(1/10W 100Ω ±5%)	[R160]
289	VRS-TS2AD271J	AA		C	Resistor(1/10W 270Ω ±5%)	[R161]
290	VRS-TS2AD271J	AA		C	Resistor(1/10W 270Ω ±5%)	[R162]
291	VRS-TS2AD103J	AA		C	Resistor(1/10W 10KΩ ±5%)	[R163]
292	VRS-TS2AD330J	AA		C	Resistor(1/10W 33Ω ±5%)	[R164]
293	VRS-TS2AD101J	AA		C	Resistor(1/10W 100Ω ±5%)	[R165]
294	VRS-TS2AD680J	AA		C	Resistor(1/10W 68Ω ±5%)	[R166]
295	VRS-TS2AD271J	AA		C	Resistor(1/10W 270Ω ±5%)	[R168]
296	VRS-TS2AD101J	AA		C	Resistor(1/10W 100Ω ±5%)	[R169]
297	VRS-TS2AD101J	AA		C	Resistor(1/10W 100Ω ±5%)	[R170]
298	VRS-TS2AD101J	AA		C	Resistor(1/10W 100Ω ±5%)	[R171]
299	VRS-TS2AD472J	AA		C	Resistor(1/10W 4.7KΩ ±5%)	[R172]
300	VRS-TS2AD102J	AA	N	C	Resistor(1/10W 1KΩ ±5%)	[R173]
301	VRS-TS2AD332J	AA		C	Resistor(1/10W 3.3KΩ ±5%)	[R174]
302	VRS-TS2AD332J	AA		C	Resistor(1/10W 3.3KΩ ±5%)	[R175]
303	VRS-TS2AD222J	AA		C	Resistor(1/10W 2.2KΩ ±5%)	[R176]
304	VRS-TS2AD000J	AA		C	Resistor(1/10W 0Ω ±5%)	[R177]
305	VRS-TS2AD103J	AA		C	Resistor(1/10W 10KΩ ±5%)	[R178]
306	VRS-TS2AD103J	AA		C	Resistor(1/10W 10KΩ ±5%)	[R179]
307	VRS-TS2AD823J	AA		C	Resistor(1/10W 82KΩ ±5%)	[R180]
308	VRS-TS2AD912J	AA		C	Resistor(1/10W 9.1KΩ ±5%)	[R181]
309	VRS-TS2AD623J	AA		C	Resistor(1/10W 62KΩ ±5%)	[R182]
310	VRS-TS2AD273J	AA		C	Resistor(1/10W 27KΩ ±5%)	[R183]
311	VRS-TS2AD000J	AA		C	Resistor(1/10W 0Ω ±5%)	[R184]
312	VRS-TS2AD103J	AA		C	Resistor(1/10W 10KΩ ±5%)	[R185]
313	VRS-TS2AD000J	AA		C	Resistor(1/10W 0Ω ±5%)	[R188]
314	VRS-TS2AD101J	AA		C	Resistor(1/10W 100Ω ±5%)	[R190]
315	VRS-TS2AD101J	AA		C	Resistor(1/10W 100Ω ±5%)	[R191]
316	VRS-TS2AD000J	AA		C	Resistor(1/10W 0Ω ±5%)	[R192]
317	VRS-TS2AD271J	AA		C	Resistor(1/10W 270Ω ±5%)	[R193]
318	VRS-TS2AD103J	AA		C	Resistor(1/10W 10KΩ ±5%)	[R194]

NO.	PARTS CODE	PRICE RANK	NEW MARK	PART RANK	DESCRIPTION	
[11] Control PWB unit						
319	VRS-TS2AD271J	AA		C	Resistor(1/10W 270Ω ±5%)	[R198]
320	VRS-TS2AD101J	AA		C	Resistor(1/10W 100Ω ±5%)	[R199]
321	VRS-TS2AD471J	AA		C	Resistor(1/10W 470Ω ±5%)	[R200]
322	VRS-TS2AD471J	AA		C	Resistor(1/10W 470Ω ±5%)	[R201]
323	VRS-TS2AD680J	AA		C	Resistor(1/10W 68Ω ±5%)	[R202]
324	VRS-TS2AD680J	AA		C	Resistor(1/10W 68Ω ±5%)	[R203]
325	VRS-TS2AD680J	AA		C	Resistor(1/10W 68Ω ±5%)	[R204]
326	VRS-TS2AD680J	AA		C	Resistor(1/10W 68Ω ±5%)	[R205]
327	VRS-TS2AD103J	AA		C	Resistor(1/10W 10KΩ ±5%)	[R206]
328	VRS-TS2AD330J	AA		C	Resistor(1/10W 33Ω ±5%)	[R207]
329	VRS-TS2AD101J	AA		C	Resistor(1/10W 100Ω ±5%)	[R208]
330	VRS-TS2AD000J	AA		C	Resistor(1/10W 0Ω ±5%)	[R209]
331	VRS-TS2AD000J	AA		C	Resistor(1/10W 0Ω ±5%)	[R210]
332	VRS-TS2AD000J	AA		C	Resistor(1/10W 0Ω ±5%)	[R211]
333	VRS-TS2AD394J	AA		C	Resistor(1/10W 390KΩ ±5%)	[R212]
334	VRS-TS2AD302J	AA		C	Resistor(1/10W 3KΩ ±5%)	[R213]
335	VRS-TS2AD000J	AA		C	Resistor(1/10W 0Ω ±5%)	[R215]
336	VRS-TS2AD103J	AA		C	Resistor(1/10W 10KΩ ±5%)	[R216]
337	VRS-TS2AD203J	AA		C	Resistor(1/10W 20KΩ ±5%)	[R217]
338	VRS-TS2AD113J	AA		C	Resistor(1/10W 11KΩ ±5%)	[R218]
339	VRS-TS2AD000J	AA		C	Resistor(1/10W 0Ω ±5%)	[R219]
340	VRS-TS2AD473J	AA		C	Resistor(1/10W 47KΩ ±5%)	[R220]
341	VRS-TS2AD000J	AA		C	Resistor(1/10W 0Ω ±5%)	[R221]
342	VRS-TS2AD201J	AG		C	Resistor(1/10W 200Ω ±5%)	[R222]
343	VRS-TS2AD680J	AA		C	Resistor(1/10W 68Ω ±5%)	[R223]
344	VRS-TS2AD000J	AA		C	Resistor(1/10W 0Ω ±5%)	[R224]
345	VRS-TS2AD105J	AA		C	Resistor(1/10W 1MΩ ±5%)	[R225]
346	VRS-TS2AD000J	AA		C	Resistor(1/10W 0Ω ±5%)	[R226]
347	VRS-TS2AD680J	AA		C	Resistor(1/10W 68Ω ±5%)	[R227]
348	VRS-TS2AD103J	AA		C	Resistor(1/10W 10KΩ ±5%)	[R229]
349	VRS-TS2AD330J	AA		C	Resistor(1/10W 33Ω ±5%)	[R230]
350	VRS-TS2AD102J	AA	N	C	Resistor(1/10W 1KΩ ±5%)	[R231]
351	VRS-TS2AD471J	AA		C	Resistor(1/10W 470Ω ±5%)	[R232]
352	VRS-TS2AD471J	AA		C	Resistor(1/10W 470Ω ±5%)	[R233]
353	VRS-TS2AD330J	AA		C	Resistor(1/10W 33Ω ±5%)	[R234]
354	VRS-TS2AD103J	AA		C	Resistor(1/10W 10KΩ ±5%)	[R235]
355	VRS-TS2AD103J	AA		C	Resistor(1/10W 10KΩ ±5%)	[R236]
356	VRS-TS2AD330J	AA		C	Resistor(1/10W 33Ω ±5%)	[R237]
357	VRS-TS2AD201J	AG		C	Resistor(1/10W 200Ω ±5%)	[R238]
358	VRS-TS2AD103J	AA		C	Resistor(1/10W 10KΩ ±5%)	[R239]
359	VRS-TS2AD302J	AA		C	Resistor(1/10W 3KΩ ±5%)	[R240]
360	VRS-TS2AD102J	AA	N	C	Resistor(1/10W 1KΩ ±5%)	[R241]
361	VRS-TS2AD472J	AA		C	Resistor(1/10W 4.7KΩ ±5%)	[R242]
362	VRS-TS2AD154J	AA		C	Resistor(1/10W 150KΩ ±5%)	[R244]
363	VRS-TS2AD104J	AA		C	Resistor(1/10W 100KΩ ±5%)	[R245]
364	VRS-TS2AD203J	AA		C	Resistor(1/10W 20KΩ ±5%)	[R246]
365	VRS-TS2AD202J	AA		C	Resistor(1/10W 2KΩ ±5%)	[R247]
366	VRS-TS2AD471J	AA		C	Resistor(1/10W 470Ω ±5%)	[R250]
367	VRS-TS2AD103J	AA		C	Resistor(1/10W 10KΩ ±5%)	[R251]
368	VRS-TS2AD471J	AA		C	Resistor(1/10W 470Ω ±5%)	[R252]
369	VRS-TS2AD471J	AA		C	Resistor(1/10W 470Ω ±5%)	[R253]
370	VRS-TS2AD471J	AA		C	Resistor(1/10W 470Ω ±5%)	[R254]
371	VRS-TS2AD101J	AA		C	Resistor(1/10W 100Ω ±5%)	[R255]
372	VRS-TS2AD680J	AA		C	Resistor(1/10W 68Ω ±5%)	[R256]
373	VRS-TS2AD000J	AA		C	Resistor(1/10W 0Ω ±5%)	[R257]
374	VRS-TS2AD471J	AA		C	Resistor(1/10W 470Ω ±5%)	[R258]
375	VRS-TS2AD105J	AA		C	Resistor(1/10W 1MΩ ±5%)	[R259]
376	VRS-TS2AD101J	AA		C	Resistor(1/10W 100Ω ±5%)	[R260]
377	VRS-TS2AD271J	AA		C	Resistor(1/10W 270Ω ±5%)	[R261]
378	VRS-TS2AD271J	AA		C	Resistor(1/10W 270Ω ±5%)	[R262]
379	VRS-TS2AD302J	AA		C	Resistor(1/10W 3KΩ ±5%)	[R263]
380	VRS-TS2AD101J	AA		C	Resistor(1/10W 100Ω ±5%)	[R264]
381	VRS-TS2AD101J	AA		C	Resistor(1/10W 100Ω ±5%)	[R265]
382	VRS-TS2AD101J	AA		C	Resistor(1/10W 100Ω ±5%)	[R266]
383	VRS-TS2AD101J	AA		C	Resistor(1/10W 100Ω ±5%)	[R267]
384	VRS-TS2AD201J	AG		C	Resistor(1/10W 200Ω ±5%)	[R268]
385	VRS-TS2AD103J	AA		C	Resistor(1/10W 10KΩ ±5%)	[R270]
386	VRS-TS2AD470J	AA		C	Resistor(1/10W 47Ω ±5%)	[R271]
387	VRS-TS2AD470J	AA		C	Resistor(1/10W 47Ω ±5%)	[R272]
388	VRS-TS2AD470J	AA		C	Resistor(1/10W 47Ω ±5%)	[R273]
389	VRS-TS2AD470J	AA		C	Resistor(1/10W 47Ω ±5%)	[R274]
390	VRS-TS2AD470J	AA		C	Resistor(1/10W 47Ω ±5%)	[R275]
391	VRS-TS2AD470J	AA		C	Resistor(1/10W 47Ω ±5%)	[R276]
392	VRS-TS2AD470J	AA		C	Resistor(1/10W 47Ω ±5%)	[R277]
393	VRS-TS2AD470J	AA		C	Resistor(1/10W 47Ω ±5%)	[R278]
394	VRS-TS2AD470J	AA		C	Resistor(1/10W 47Ω ±5%)	[R279]
395	VRS-TS2AD102J	AA	N	C	Resistor(1/10W 1KΩ ±5%)	[R280]
396	VRS-TS2AD681J	AA		C	Resistor(1/10W 680Ω ±5%)	[R281]
397	VRS-TS2AD203J	AA		C	Resistor(1/10W 20KΩ ±5%)	[R282]
398	VRS-TS2AD333J	AA		C	Resistor(1/10W 33KΩ ±5%)	[R283]

NO.	PARTS CODE	PRICE RANK	NEW MARK	PART RANK	DESCRIPTION	
[11] Control PWB unit						
399	VRS-TS2AD333J	AA		C	Resistor(1/10W 33KΩ ±5%)	[R284]
400	VRS-TS2AD330J	AA		C	Resistor(1/10W 33Ω ±5%)	[R285]
401	VRS-TS2AD330J	AA		C	Resistor(1/10W 33Ω ±5%)	[R286]
402	VRS-TS2AD330J	AA		C	Resistor(1/10W 33Ω ±5%)	[R287]
403	VRS-TS2AD392J	AA		C	Resistor(1/10W 3.9KΩ ±5%)	[R288]
404	VRS-TS2AD203J	AA		C	Resistor(1/10W 20KΩ ±5%)	[R289]
405	VRS-TS2AD000J	AA		C	Resistor(1/10W 0Ω ±5%)	[R290]
406	VRS-TS2AD105J	AA		C	Resistor(1/10W 1MΩ ±5%)	[R291]
407	VRS-TS2AD472J	AA		C	Resistor(1/10W 4.7KΩ ±5%)	[R293]
408	VRS-TS2AD103J	AA		C	Resistor(1/10W 10KΩ ±5%)	[R294]
409	VRS-TS2AD103J	AA		C	Resistor(1/10W 10KΩ ±5%)	[R295]
410	VRS-TS2AD000J	AA		C	Resistor(1/10W 0Ω ±5%)	[R296]
411	VRS-TS2AD000J	AA		C	Resistor(1/10W 0Ω ±5%)	[R297]
412	VRS-TS2AD000J	AA		C	Resistor(1/10W 0Ω ±5%)	[R298]
413	VRS-TS2AD330J	AA		C	Resistor(1/10W 33Ω ±5%)	[R299]
414	VRS-TS2AD101J	AA		C	Resistor(1/10W 100Ω ±5%)	[R300]
415	VRS-TS2AD470J	AA		C	Resistor(1/10W 47Ω ±5%)	[R301]
416	VRS-TS2AD470J	AA		C	Resistor(1/10W 47Ω ±5%)	[R302]
417	VRS-TS2AD101J	AA		C	Resistor(1/10W 100Ω ±5%)	[R303]
418	VRS-TS2AD470J	AA		C	Resistor(1/10W 47Ω ±5%)	[R304]
419	VRS-TS2AD470J	AA		C	Resistor(1/10W 47Ω ±5%)	[R305]
420	VRSTS2AD2002F	AA		C	Resistor(1/10W 20KΩ ±1%)	[R306]
421	VRS-TS2AD000J	AA		C	Resistor(1/10W 0Ω ±5%)	[R307]
422	VRS-TS2AD000J	AA		C	Resistor(1/10W 0Ω ±5%)	[R308]
423	VRS-TS2AD000J	AA		C	Resistor(1/10W 0Ω ±5%)	[R309]
424	VRS-TS2AD000J	AA		C	Resistor(1/10W 0Ω ±5%)	[R310]
425	VRS-TS2AD201J	AG		C	Resistor(1/10W 200Ω ±5%)	[R311]
426	VRS-TS2AD000J	AA		C	Resistor(1/10W 0Ω ±5%)	[R312]
427	VRS-TS2AD101J	AA		C	Resistor(1/10W 100Ω ±5%)	[R313]
428	VRS-TS2AD101J	AA		C	Resistor(1/10W 100Ω ±5%)	[R314]
429	VRS-TS2AD470J	AA		C	Resistor(1/10W 47Ω ±5%)	[R315]
430	VRS-TS2AD470J	AA		C	Resistor(1/10W 47Ω ±5%)	[R316]
431	VRS-TS2AD470J	AA		C	Resistor(1/10W 47Ω ±5%)	[R317]
432	VRS-TS2AD470J	AA		C	Resistor(1/10W 47Ω ±5%)	[R318]
433	VRS-TS2AD330J	AA		C	Resistor(1/10W 33Ω ±5%)	[R319]
434	VRS-TS2AD330J	AA		C	Resistor(1/10W 33Ω ±5%)	[R320]
435	VRS-TS2AD330J	AA		C	Resistor(1/10W 33Ω ±5%)	[R321]
436	VRS-TS2AD562J	AA		C	Resistor(1/10W 5.6KΩ ±5%)	[R322]
437	VRS-TS2AD472J	AA		C	Resistor(1/10W 4.7KΩ ±5%)	[R323]
438	VRS-TS2AD472J	AA		C	Resistor(1/10W 4.7KΩ ±5%)	[R324]
439	VRS-TS2AD472J	AA		C	Resistor(1/10W 4.7KΩ ±5%)	[R325]
440	VRS-TS2AD103J	AA		C	Resistor(1/10W 10KΩ ±5%)	[R326]
441	VRS-TS2AD332J	AA		C	Resistor(1/10W 3.3KΩ ±5%)	[R327]
442	VRS-TS2AD103J	AA		C	Resistor(1/10W 10KΩ ±5%)	[R328]
443	VRS-TS2AD103J	AA		C	Resistor(1/10W 10KΩ ±5%)	[R329]
444	VRS-TS2AD332J	AA		C	Resistor(1/10W 3.3KΩ ±5%)	[R330]
445	VRS-TS2AD000J	AA		C	Resistor(1/10W 0Ω ±5%)	[R332]
446	VRS-TS2AD202J	AA		C	Resistor(1/10W 2KΩ ±5%)	[R333]
447	VRS-TS2AD271J	AA		C	Resistor(1/10W 270Ω ±5%)	[R334]
448	VRS-TS2AD330J	AA		C	Resistor(1/10W 33Ω ±5%)	[R335]
449	VRS-TS2AD000J	AA		C	Resistor(1/10W 0Ω ±5%)	[R336]
450	VRS-TS2AD000J	AA		C	Resistor(1/10W 0Ω ±5%)	[R339]
451	VRS-TS2AD222J	AA		C	Resistor(1/10W 2.2KΩ ±5%)	[R340]
452	VRS-TS2AD101J	AA		C	Resistor(1/10W 100Ω ±5%)	[R341]
453	VRS-TS2AD680J	AA		C	Resistor(1/10W 68Ω ±5%)	[R342]
454	VRS-TS2AD103J	AA		C	Resistor(1/10W 10KΩ ±5%)	[R343]
455	VRS-TS2AD103J	AA		C	Resistor(1/10W 10KΩ ±5%)	[R344]
456	VRS-TS2AD101J	AA		C	Resistor(1/10W 100Ω ±5%)	[R345]
457	VRS-TS2AD680J	AA		C	Resistor(1/10W 68Ω ±5%)	[R346]
458	VRS-TS2AD680J	AA		C	Resistor(1/10W 68Ω ±5%)	[R347]
459	VRS-TS2AD680J	AA		C	Resistor(1/10W 68Ω ±5%)	[R348]
460	VRS-TS2AD680J	AA		C	Resistor(1/10W 68Ω ±5%)	[R349]
461	VRS-TS2AD680J	AA		C	Resistor(1/10W 68Ω ±5%)	[R350]
462	VRS-TS2AD000J	AA		C	Resistor(1/10W 0Ω ±5%)	[R351]
463	VRS-TS2AD000J	AA		C	Resistor(1/10W 0Ω ±5%)	[R352]
464	VRS-TS2AD103J	AA		C	Resistor(1/10W 10KΩ ±5%)	[R353]
465	VRS-TS2AD472J	AA		C	Resistor(1/10W 4.7KΩ ±5%)	[R354]
466	VRS-TS2AD000J	AA		C	Resistor(1/10W 0Ω ±5%)	[R356]
467	VRS-TS2AD000J	AA		C	Resistor(1/10W 0Ω ±5%)	[R357]
468	VRS-TS2AD000J	AA		C	Resistor(1/10W 0Ω ±5%)	[R358]
469	VRS-TS2AD000J	AA		C	Resistor(1/10W 0Ω ±5%)	[R359]
470	VRS-TS2AD103J	AA		C	Resistor(1/10W 10KΩ ±5%)	[R364]
471	VRS-TS2AD103J	AA		C	Resistor(1/10W 10KΩ ±5%)	[R365]
472	VRS-TS2AD103J	AA		C	Resistor(1/10W 10KΩ ±5%)	[R366]
473	VRS-TS2AD000J	AA		C	Resistor(1/10W 0Ω ±5%)	[R367]
474	VH162FP332P-1	AF		B	REG(XC62FP3302P)	[REG1]
475	QSW-K0005AWZZ	AC	N	C	Tact switch	[SW1]
476	VHH103AT-2B-1	AF		B	Thermistor(103AT-2B)	[TH1]
477	RCRSQ2161SCZZ	AF	N	B	Crystal(6.912MHz)	[X1]
478	RCRSQ2157SCZZ	AF		B	Crystal(32.256MHz)	[X2]

NO.	PARTS CODE	PRICE RANK	NEW MARK	PART RANK	DESCRIPTION
[11] Control PWB unit					
479	RCRSZ7008SCZZ	AD		B	Crystal(16MHz) [X3]
480	RCRSQ2159SCZZ	AF	N	B	Crystal(20.95261MHz) [X4]
481	RCRSZ0028GCZZ	AH	N	B	Crystal(35.57212371MHz) [X5]
482	RCRSB0297AFZZ	AD		B	Crystal(32.768KHz) [X6]
483	VHERD22FB3/-1	AC		B	Zener diode(RD22FB3) [ZD2]
484	TLABZ3405FCZZ	AB	N	D	Label
	(Unit)				
901	DCEKC180NSCZZ	AH	N	E	Control PWB unit [4000MU]
	DCEKC388NSCZZ	AH	N	E	Control PWB unit [2950MU]
	DCEKC886NSCZZ	AH	N	E	Control PWB unit [2950MC]
[12] TEL/LIU and Hook SW PWB unit					
1	VHVRA391PV6-1	AE		B	Varistor(RA391PV6) [AR1]
2	VCKYPA1HB103K	AA		C	Capacitor(50WV 0.01μF) [C2]
3	RC-FZ3024SCZZ	AG		C	Capacitor(250WV 0.82μF) [C3]
4	VCKYPA1HB102K	AA		C	Capacitor(50WV 1000PF) [C4]
5	VCKYPA1HB102K	AA		C	Capacitor(50WV 1000PF) [C5]
6	VCEAGA1HW106M	AA		C	Capacitor(50WV 10μF) [C6]
7	VCKYPA1HF223Z	AA		C	Capacitor(50WV 0.022μF) [C7]
8	VCEAGA1HW475M	AA		C	Capacitor(50WV 4.7μF) [C8]
9	VCKYPA1HB102K	AA		C	Capacitor(50WV 1000PF) [C9]
10	VCCCPA1HH330J	AA		C	Capacitor(50WV 33PF) [C10]
11	VCKYPA1HB221K	AA		C	Capacitor(50WV 220PF) [C11]
12	VCEAGA1HW475M	AA		C	Capacitor(50WV 4.7μF) [C12]
13	VCEAGA1HW226M	AB		C	Capacitor(50WV 22μF) [C13]
14	VCKYPA1HB222K	AA		C	Capacitor(50WV 2200PF) [C14]
15	VCEAGA1HW225M	AA		C	Capacitor(50WV 2.2μF) [C15]
16	VCKYPA1HB102K	AA		C	Capacitor(50WV 1000PF) [C16]
17	VCEAGA1HW226M	AB		C	Capacitor(50WV 22μF) [C17]
18	VCKYPA1HB102K	AA		C	Capacitor(50WV 1000PF) [C18]
19	VCKYPA1HB222K	AA		C	Capacitor(50WV 2200PF) [C19]
20	VCEAGA1HW475M	AA		C	Capacitor(50WV 4.7μF) [C20]
21	RRLYD3433XHZZ	AH		B	Relay [CML1]
22	QCNCM2442SC0B	AB		C	Conector(2pin) [CNHS1]
23	QCNCM-271ASCZZ	AC	N	C	HS cable [CNHS2]
24	QCNCM2548SC1B	AH		C	Connector(12pin) [CNLIU]
25	VHDDSS133/-1	AA		B	Diode(1SS270) [D1]
26	VHDDSS133/-1	AA		B	Diode(1SS270) [D2]
27	VHINJM2904D-1	AG		B	IC,OPE AMP.(NJM2904D) [IC1]
28	RFILN2027XHZZ	AC		C	Coil(R-5C) [L1]
29	RFILN2027XHZZ	AC		C	Coil(R-5C) [L2]
30	RFILN2027XHZZ	AC		C	Coil(R-5C) [L3]
31	RFILN2027XHZZ	AC		C	Coil(R-5C) [L4]
32	RFILN2027XHZZ	AC		C	Coil(R-5C) [L5]
33	QJAKZ2060SC0B	AD		C	Line jack [MJ1]
34	QJAKZ2060SC0B	AD		C	Line jack [MJ2]
35	QJAKZ2079XH0D	AD		C	Handset jack [MJTEL]
36	VHPTLP521-1BL	AE		B	Photo coupler(TLP521) [PC1]
37	VHPPC814X//1	AE		B	Photo transistor(PC814X) [PC2]
38	VSDTC114ES/-1	AB		B	Transistor(DTC114ES) [Q1]
39	VS2SC1815GR-1	AB		B	Transistor(2SC1815GR) [Q2]
40	VSDTC114ES/-1	AB		B	Transistor(DTC114ES) [Q3]
41	VSDTC114ES/-1	AB		B	Transistor(DTC114ES) [Q4]
42	VRD-HT2EY300J	AA		C	Resistor(1/4W 30Ω ±5%) [R1]
43	VRD-HT2EY910J	AA		C	Resistor(1/4W 91Ω ±5%) [R2]
44	VRD-HT2EY223J	AA		C	Resistor(1/4W 22KΩ ±5%) [R4]
45	VRD-HT2HY223J	AA		C	Resistor(1/2W 22KΩ ±5%) [R5]
46	VRD-HT2EY152J	AA	N	C	Resistor(1/4W 1.5KΩ ±5%) [R6]
47	VRD-HT2EY513J	AA		C	Resistor(1/4W 51KΩ ±5%) [R7]
48	VRD-HT2EY152J	AA	N	C	Resistor(1/4W 1.5KΩ ±5%) [R8]
49	VRD-HT2EY621J	AA		C	Resistor(1/4W 620Ω ±5%) [R9]
50	VRD-HT2EY332J	AA		C	Resistor(1/4W 3.3KΩ ±5%) [R10]
51	VRD-HT2EY393J	AA	N	C	Resistor(1/4W 39KΩ ±5%) [R11]
52	VRD-HT2EY102J	AA		C	Resistor(1/4W 1.0KΩ ±5%) [R12]
53	VRD-HT2EY163J	AA	N	C	Resistor(1/4W 16KΩ ±5%) [R14]
54	VRD-HT2EY102J	AA		C	Resistor(1/4W 1.0KΩ ±5%) [R15]
55	VRD-HT2EY113J	AA		C	Resistor(1/4W 11KΩ ±5%) [R16]
56	VRD-HT2EY332J	AA		C	Resistor(1/4W 3.3KΩ ±5%) [R17]
57	VRD-HT2EY102J	AA		C	Resistor(1/4W 1.0KΩ ±5%) [R18]
58	VRD-HT2EY473J	AA		C	Resistor(1/4W 47KΩ ±5%) [R19]
59	VRD-HT2EY151J	AA		C	Resistor(1/4W 150Ω ±5%) [R20]
60	QSW-Z2263XHZZ	AG		B	Hook switch [SW1]
61	RTRNI2164XHZZ	AG		B	Transformer(I2164) [T1]
62	VHVERZV5D471/	AC		B	Varistor(ERZV5D471) [VA1]
63	VHVERZV5D471/	AC		B	Varistor(ERZV5D471) [VA2]
64	VHEHZ2C1///-1	AA		B	Zener diode(HZ2C1) [ZD1]

NO.	PARTS CODE	PRICE RANK	NEW MARK	PART RANK	DESCRIPTION	
[12] TEL/LIU and Hook SW PWB unit						
65	VHEHZ2C1///-1	AA		B	Zener diode(HZ2C1)	[ZD2]
66	VHEHZ27-1///-1	AB		B	Zener diode(HZ27)	[ZD3]
67	VCKYPA1HB102K	AA		B	Zener diode(HZ2C1)	[ZD4]
68	VHEHZ2C1///-1	AA		B	Zener diode(HZ2C1)	[ZD5]
	(Unit)					
901	DCEKL222CSC01	BF	N	E	TEL/LIU and Hook SW PWB unit	
[13] Printer PWB unit						
1	VCEAGA1VW476M	AB		C	Capacitor(35WV 47μF)	[C1]
2	VCEAGA1VW476M	AB		C	Capacitor(35WV 47μF)	[C2]
3	VCKYPA1HB391K	AA		C	Capacitor(50WV 390PF)	[C3]
4	VCTYPA1HF104Z	AC		C	Capacitor(50WV 0.1μF)	[C4]
5	VCKYPA1HB102K	AA		C	Capacitor(50WV 1000PF)	[C5]
6	VCKYPA1HB102K	AA		C	Capacitor(50WV 1000PF)	[C6]
7	VCKYPA1HB102K	AA		C	Capacitor(50WV 1000PF)	[C7]
8	VCKYPA1HB102K	AA		C	Capacitor(50WV 1000PF)	[C8]
9	VCKYPA1HB331K	AA		C	Capacitor(50WV 330PF)	[C9]
10	VCTYPA1HF104Z	AC		C	Capacitor(50WV 0.1μF)	[C10]
11	VCKYPA1HB331K	AA		C	Capacitor(50WV 330PF)	[C11]
12	VCKYPA1HB102K	AA		C	Capacitor(50WV 1000PF)	[C12]
13	VCKYPA1HB101K	AA	N	C	Capacitor(50WV 100PF)	[C13]
14	VCQYNA1HM472K	AA		C	Capacitor(50WV 4700PF)	[C14]
15	VCKYPA1HB101K	AA	N	C	Capacitor(50WV 100PF)	[C15]
16	VCKYPA1HB101K	AA	N	C	Capacitor(50WV 100PF)	[C16]
17	VCKYPA1HB101K	AA	N	C	Capacitor(50WV 100PF)	[C17]
18	VCKYPA1HB391K	AA		C	Capacitor(50WV 390PF)	[C18]
19	VCQYNA1HM472K	AA		C	Capacitor(50WV 4700PF)	[C19]
20	VCQYNA1HM153K	AB		C	Capacitor(50WV 0.015μF)	[C20]
21	VCKYPA1HB102K	AA		C	Capacitor(50WV 1000PF)	[C21]
22	VCKYPA1HB102K	AA		C	Capacitor(50WV 1000PF)	[C22]
23	VCTYPA1HF104Z	AC		C	Capacitor(50WV 0.1μF)	[C23]
24	VCTYPA1HF104Z	AC		C	Capacitor(50WV 0.1μF)	[C24]
25	VCEAGA1VW476M	AB		C	Capacitor(35WV 47μF)	[C25]
26	VCKYPA1HB391K	AA		C	Capacitor(50WV 390PF)	[C26]
27	VCKYPA1HB101K	AA	N	C	Capacitor(50WV 100PF)	[C28]
28	VCKYPA1HB391K	AA		C	Capacitor(50WV 390PF)	[C29]
29	VCTYPA1HF104Z	AC		C	Capacitor(50WV 0.1μF)	[C30]
30	VCKYPA1HB102K	AA		C	Capacitor(50WV 1000PF)	[C31]
31	VCQYNA1HM222K	AA		C	Capacitor(50WV 2200PF)	[C32]
32	VCKYQY3FB102K	AD		C	Capacitor(3KVV 1000PF)	[C33]
33	VCKYQY3JB102K	AD	N	C	Capacitor(6KVV 1000PF)	[C34]
34	VCKYQY3JB102K	AD	N	C	Capacitor(6KVV 1000PF)	[C35]
35	VCKYQY3JB102K	AD	N	C	Capacitor(6KVV 1000PF)	[C36]
36	VCKYQY3AB102K	AC		C	Capacitor(1KVV 1000PF)	[C37]
37	VCKYPA1HB391K	AA		C	Capacitor(50WV 390PF)	[C38]
38	VCKYQY3AB102K	AC		C	Capacitor(1KVV 1000PF)	[C39]
39	VCKYQY3DB151K	AC		C	Capacitor(2KVV 150PF)	[C40]
40	VCKYQY3AB102K	AC		C	Capacitor(1KVV 1000PF)	[C41]
41	VCTYPA1HF104Z	AC		C	Capacitor(50WV 0.1μF)	[C42]
42	VCKYPA1HB101K	AA	N	C	Capacitor(50WV 100PF)	[C43]
43	VCKYPA1HB102K	AA		C	Capacitor(50WV 1000PF)	[C44]
44	VCKYPA1HB102K	AA		C	Capacitor(50WV 1000PF)	[C45]
45	VCEAGA1VW476M	AB		C	Capacitor(35WV 47μF)	[C46]
46	VCTYPA1HF104Z	AC		C	Capacitor(50WV 0.1μF)	[C47]
47	QCNCM2401SC0C	AB		C	Connector(3pin)	[CNFM]
48	QCNCW0053GCZZ	AD		C	Connector(9pin)	[CNLSU]
49	QCNCM7022SC0D		N	C	Connector(4pin)	[CNMMT]
50	QCNCW0946FCZZ	AH		C	Connector(36pin)	[CNPC]
51	QCNCM704BAF06	AC	N	C	Connector(2pin)	[CNPL]
52	QCNCW2436SC5J	AB		C	Connector(50pin)	[CNPRT]
53	QCNCM2575SC1B	AF		C	Connector(12pin)	[CNPW]
54	QCNCM7022SC0E	AB	N	C	Connector(5pin)	[CNTNR]
55	VHDDSM1D1//1	AB		B	Diode(DSM1D)	[D1]
56	VHDSHV06NK/-1	AE		B	Diode(SHV-06)	[D2]
57	VHDSHV06NK/-1	AE		B	Diode(SHV-06)	[D3]
58	VHDDSM1D1//1	AB		B	Diode(DSM1D)	[D4]
59	VHDSHV03//1	AE		B	Diode(SHV-03)	[D5]
60	VHDSHV03//1	AE		B	Diode(SHV-03)	[D6]
61	VHDSHV06NK/-1	AE		B	Diode(SHV-06)	[D7]
62	VHDSHV06NK/-1	AE		B	Diode(SHV-06)	[D8]
63	VHDSHV02//1	AD		B	Diode(SHV-02)	[D9]
64	VHDDSS133//1	AA		B	Diode(1SS270)	[D10]
65	QTANN2046SCZZ	AC		C	Terminal(N2046)	[DC-BIA]
66	QTANN2046SCZZ	AC		C	Terminal(N2046)	[DRUM]
67	VHVICPN10//1	AD		C	IC protector(ICP-N10)	[F1]
68	VHVICPN25//1	AD		C	IC protector(ICP-N25)	[F2]

NO.	PARTS CODE	PRICE RANK	NEW MARK	PART RANK	DESCRIPTION	
[13] Printer PWB unit						
69	QTANN2046SCZZ	AC		C	Terminal(N2046)	[FU-G]
70	VHIULN2003AN/	AE		B	IC,TRANSISTOR ARRAY(ULN2003)	[IC1]
71	VHIA2918SWH//	AR	N	B	IC,MOTOR DRIVER(A2918SWH)	[IC2]
72	QTANN2046SCZZ	AC		C	Terminal(N2046)	[MC]
73	VHPSG206S/-1	AG		B	Photo transistor(SG206S)	[PI1]
74	VHPSG206S/-1	AG		B	Photo transistor(SG206S)	[PI2]
75	VSDTC114ES/-1	AB		B	Transistor(DTC114)	[Q1]
76	VS2SA854SR/-1		N	B	Transistor(2SA854SR)	[Q2]
77	VS2SC1815GR-1	AB		B	Transistor(2SC1815GR)	[Q3]
78	VS2SA933SS/-1	AB		B	Transistor(2SA933S)	[Q4]
79	VS2SD1264/-1	AF		B	Transistor(2SD1264)	[Q5]
80	VS2SA933SS/-1	AB		B	Transistor(2SA933S)	[Q6]
81	VS2SC1815GR-1	AB		B	Transistor(2SC1815GR)	[Q7]
82	VS2SA933SS/-1	AB		B	Transistor(2SA933S)	[Q8]
83	VS2SD1264/-1	AF		B	Transistor(2SD1264)	[Q9]
84	VRD-HT2EY472J	AA		C	Resistor(1/4W 4.7KΩ ±5%)	[R2]
85	VRD-HT2EY473J	AA		C	Resistor(1/4W 47KΩ ±5%)	[R3]
86	VRD-HT2EY122J	AA		C	Resistor(1/4W 1.2KΩ ±5%)	[R4]
87	VRD-HT2EY122J	AA		C	Resistor(1/4W 1.2KΩ ±5%)	[R6]
88	VRD-HT2EY122J	AA		C	Resistor(1/4W 1.2KΩ ±5%)	[R7]
89	VRD-HT2EY122J	AA		C	Resistor(1/4W 1.2KΩ ±5%)	[R8]
90	VRD-HT2EY122J	AA		C	Resistor(1/4W 1.2KΩ ±5%)	[R9]
91	VRD-HT2EY122J	AA		C	Resistor(1/4W 1.2KΩ ±5%)	[R10]
92	VRD-HT2EY122J	AA		C	Resistor(1/4W 1.2KΩ ±5%)	[R11]
93	VRD-HT2EY103J	AA		C	Resistor(1/4W 10KΩ ±5%)	[R12]
94	VRD-HT2EY392J	AA		C	Resistor(1/4W 3.9KΩ ±5%)	[R13]
95	VRD-HT2EY203J	AA		C	Resistor(1/4W 20KΩ ±5%)	[R14]
96	VRD-HT2EY472J	AA		C	Resistor(1/4W 4.7KΩ ±5%)	[R15]
97	VRD-HT2EY153J	AA		C	Resistor(1/4W 15KΩ ±5%)	[R16]
98	VRD-HT2EY103J	AA		C	Resistor(1/4W 10KΩ ±5%)	[R17]
99	VRD-HT2EY203J	AA		C	Resistor(1/4W 20KΩ ±5%)	[R18]
100	VRD-HT2EY203J	AA		C	Resistor(1/4W 20KΩ ±5%)	[R19]
101	VRD-HT2EY103J	AA		C	Resistor(1/4W 10KΩ ±5%)	[R20]
102	VRD-HT2EY122J	AA		C	Resistor(1/4W 1.2KΩ ±5%)	[R21]
103	VRD-HT2EY122J	AA		C	Resistor(1/4W 1.2KΩ ±5%)	[R22]
104	VRD-HT2EY122J	AA		C	Resistor(1/4W 1.2KΩ ±5%)	[R23]
105	VRD-HT2EY122J	AA		C	Resistor(1/4W 1.2KΩ ±5%)	[R24]
106	VRD-HT2EY122J	AA		C	Resistor(1/4W 1.2KΩ ±5%)	[R25]
107	VRD-HT2EY122J	AA		C	Resistor(1/4W 1.2KΩ ±5%)	[R26]
108	VRD-HT2EY221J	AA		C	Resistor(1/4W 220Ω ±5%)	[R27]
109	VRD-HT2EY103J	AA		C	Resistor(1/4W 10KΩ ±5%)	[R28]
110	VRD-HT2EY104J	AA		C	Resistor(1/4W 100KΩ ±5%)	[R29]
111	VRNHT2EK1102F	AA		C	Resistor(1/4W 11.0KΩ ±1%)	[R30]
112	VRD-HT2EY203J	AA		C	Resistor(1/4W 20KΩ ±5%)	[R31]
113	VRD-HT2HY3R0J	AB		C	Resistor(1/2W 3.0Ω ±5%)	[R32]
114	VRD-HT2EY620J	AA		C	Resistor(1/4W 62Ω ±5%)	[R33]
115	VRD-HT2EY681J	AA		C	Resistor(1/4W 680Ω ±5%)	[R34]
116	VRD-HT2EY103J	AA		C	Resistor(1/4W 10KΩ ±5%)	[R36]
117	VRD-HT2EY474J	AA	N	C	Resistor(1/4W 470KΩ ±5%)	[R37]
118	VRD-HT2EY105J	AA		C	Resistor(1/4W 1.0MΩ ±5%)	[R38]
119	VRD-HT2EY512J	AA	N	C	Resistor(1/4W 5.1KΩ ±5%)	[R39]
120	VRD-HT2EY561J	AA		C	Resistor(1/4W 560Ω ±5%)	[R40]
121	VRD-HT2EY334J	AA	N	C	Resistor(1/4W 330KΩ ±5%)	[R41]
122	VRD-HT2EY221J	AA		C	Resistor(1/4W 220Ω ±5%)	[R42]
123	VRS-HT3AAR56J	AB	N	C	Resistor(1W 0.56Ω ±5%)	[R43]
124	VRD-HT2EY102J	AA		C	Resistor(1/4W 1.0KΩ ±5%)	[R44]
125	VRD-HT2EY102J	AA		C	Resistor(1/4W 1.0KΩ ±5%)	[R45]
126	VRS-HT3AAR56J	AB	N	C	Resistor(1W 0.56Ω ±5%)	[R46]
127	VRD-HT2EY153J	AA		C	Resistor(1/4W 15KΩ ±5%)	[R47]
128	VRD-HT2EY472J	AA		C	Resistor(1/4W 4.7KΩ ±5%)	[R48]
129	VRD-HT2EY512J	AA	N	C	Resistor(1/4W 5.1KΩ ±5%)	[R49]
130	VRD-HT2EY561J	AA		C	Resistor(1/4W 560Ω ±5%)	[R50]
131	VRD-HT2EY105J	AA		C	Resistor(1/4W 1.0MΩ ±5%)	[R51]
132	VRHDPT3AF395J	AD	N	C	Resistor(1W 3.9MΩ ±5%)	[R52]
133	VRH-PT2HF395J	AC	N	C	Resistor(1/2W 3.9MΩ ±5%)	[R53]
134	VRD-HT2HY3R0J	AB		C	Resistor(1/2W 3.0Ω ±5%)	[R54]
135	VRD-HT2EY620J	AA		C	Resistor(1/4W 62Ω ±5%)	[R55]
136	VRHYKU3AD257K	AH		C	Resistor(1W 250MΩ ±10%)	[R56]
137	VRHAKU2HD107J	AF	N	C	Resistor(1/2W 100MΩ ±5%)	[R57]
138	VRHAKU2HD207J	AF	N	C	Resistor(1/2W 200MΩ ±5%)	[R58]
139	VRHAKU2HD825J	AF	N	C	Resistor(1/2W 8.2MΩ ±5%)	[R59]
140	VRD-HT2EY000J	AA		C	Resistor(1/4W 0Ω ±5%)	[R60]
141	RTRNZ0022GCZ1	AL	N	B	H/V transformer(Z0022)	[T1]
142	RTRNZ0021GCZZ	AL	N	B	H/V transformer(Z0021)	[T2]
143	QTANN2046SCZZ	AC		C	Terminal(N2046)	[TC]
144	RVR-M1615QCZZ	AC	N	C	Variable resistor	[VR1]
145	RVR-M251AQCZZ	AC	N	C	Variable resistor	[VR2]
146	VHED2.4ESAB11	AC		B	Zener diode(RD2.4ES)	[ZD1]
147	VHERD30JSAB21	AC		B	Zener diode(RD30JS)	[ZD2]
148	VHERD30JSAB21	AC		B	Zener diode(RD30JS)	[ZD3]



NO.	PARTS CODE	PRICE RANK	NEW MARK	PART RANK	DESCRIPTION
<b>[13] Printer PWB unit</b>					
149	VHED2.4ESAB11	AC		B	Zener diode(RD2.4ES) [ZD4]
150	VHE1ZB200Y/-1	AF		B	Zener diode(1ZB200Y) [ZD5]
151	VHERD100E//1	AC	N	B	Zener diode(RD100E) [ZD6]
152	VHERD100E//1	AC	N	B	Zener diode(RD100E) [ZD7]
	(Unit)				
901	DCEK-224CSC01	AH	N	E	Printer PWB unit
<b>[14] Power supply PWB unit</b>					
1	OKYOL551A0010	AE		C	Ferrite beads(BL02RN1) [BEA1]
2	OKYOC245Q1040	AM		C	Film capacitor(250WV 0.1μF) [C1]
3	OKYOC245Q1040	AM		C	Film capacitor(250WV 0.1μF) [C3]
4	OKYOC344K2210	AV		C	Electrolytic capacitor(220PF) [C5]
5	OKYOC176Q1020	AF		C	Ceramic capacitor(1000PF) [C6]
6	OKYOC176Q1030	AN		C	Ceramic capacitor(0.01μF) [C7]
7	OKYOC1A9R2210	AG		C	Ceramic capacitor(1KWV 220PF) [C8]
8	OKYOC251E1030	AE		C	Film capacitor(50WV 0.01μF) [C9]
9	OKYOC251E4720	AE		C	Film capacitor(50WV 4700PF) [C10]
10	OKYOC151E1010	AE		C	Ceramic capacitor(50WV 100PF) [C11]
11	OKYOC176Q1020	AF		C	Ceramic capacitor(1000PF) [C15]
12	OKYOC162E1040	AF		C	Ceramic capacitor(50WV 0.1μF) [C22]
13	OKYOC3A0D3310	AM		C	Electrolytic capacitor(330PF) [C101]
14	OKYOC3A0D3310	AM		C	Electrolytic capacitor(330PF) [C103]
15	OKYOC162E1040	AF		C	Ceramic capacitor(50WV 0.1μF) [C105]
16	OKYOC3A0B3310	AL		C	Electrolytic capacitor(330PF) [C301]
17	OKYOC3A0D3300	AG		C	Electrolytic capacitor(33PF) [C302]
18	OKYOK207B0020	AK		C	Connector [CN1]
19	OKYOK251A0020	AK		C	Connector(B2P3-VH) [CN2]
20	OKYOK214L0120	AQ		C	Connector [CN101]
21	OKYOD251A0020	AD		B	Diode(1SS133) [D4]
22	OKYOD466A0600	AE		B	Zener diode(HZS9B) [D5]
23	OKYOD251A0020	AD		B	Diode(1SS133) [D6]
24	OKYOD251A0020	AD		B	Diode(1SS133) [D7]
25	OKYOD157A0060	AG		B	Diode(ERA15-06) [D10]
26	OKYOD157A0060	AG		B	Diode(ERA15-06) [D11]
27	OKYOD157A0060	AG		B	Diode(ERA15-06) [D12]
28	OKYOD157A0060	AG		B	Diode(ERA15-06) [D13]
29	OKYOD157A0060	AG		B	Diode(ERA15-06) [D51]
30	OKYOD157A0060	AG		B	Diode(ERA15-06) [D52]
31	OKYOD221B0020	AT		B	Diode(YG911S2R) [D101]
32	OKYOD466A0480	AE		B	Zener diode(HZS7A2) [D110]
33	OKYOD461A2700	AK		B	Zener diode [D202]
34	OKYOD277A0030	AP		B	Diode [D301]
35	OKYOD251A0020	AD		B	Diode(1SS133) [D501]
36	OKYOK716A8R00	AK		C	Fuse [F1]
37	OKYOK761A4R00	AQ		C	Fuse [F2]
38	OKYOW000A0050	AC		C	Fuse [F101]
39	OKYOM851A0010	AF		C	Fuse holder [FL1]
40	OKYOM851A0010	AF		C	Fuse holder [FL2]
41	OKYOMPS901200	AE		C	Heatsink [HS1]
42	OKYOMPS901200	AE		C	Heatsink [HS2]
43	OKYOH135A5R00	AV		B	IC (PQ05RD11) [IC301]
44	OKYOL114K1230	AR		C	Inductor [L1]
45	OKYOD763A4R00	AN		B	NTC thermistor(4Ω) [NTC1]
46	OKYOH719A0010	AP		B	Optical isolater(PC817B) [PC1]
47	OKYOH725A0010	AT		B	Optical isolater [PC2]
48	OKYOH719A0010	AP		B	Optical isolater(PC817B) [PC3]
49	OKYOT641A0010	AY		C	FET(2SK2638) [Q1]
50	OKYOT358A0040	AG		B	Transistor(2SC1741AS) [Q2]
51	OKYOT351A0050	AF		B	Transistor(2SC1740S) [Q101]
52	OKYOT351A0050	AF		B	Transistor(2SC1740S) [Q501]
53	OKYOR153U1050	AC		C	Resistor(1/4W 1MΩ) [R1]
54	OKYOR353U1840	AD		C	Resistor(1/4W 180KΩ) [R2]
55	OKYOR353U1840	AD		C	Resistor(1/4W 180KΩ) [R3]
56	OKYOR353U2430	AD		C	Resistor(1/4W 24KΩ) [R5]
57	OKYOR153U4710	AC		C	Resistor(1/4W 470Ω ±5%) [R6]
58	OKYOR153U1810	AC		C	Resistor(1/4W 180Ω) [R7]
59	OKYOR153U3330	AB		C	Resistor(1/4W 33KΩ) [R8]
60	OKYOR153U1010	AC		C	Resistor(1/4W 100Ω ±5%) [R9]
61	OKYOR153U3320	AC		C	Resistor(1/4W 3.3KΩ ±5%) [R10]
62	OKYOR153U5620	AC		C	Resistor(1/4W 5.6KΩ ±5%) [R11]
63	OKYOR153U1530	AC		C	Resistor(1/4W 15KΩ) [R12]
64	OKYOR153U1820	AD		C	Resistor(1/4W 1.8KΩ ±5%) [R13]
65	OKYOR153U3320	AC		C	Resistor(1/4W 3.3KΩ ±5%) [R16]
66	OKYOR153U6810	AC		C	Resistor(1/4W 680Ω) [R17]
67	OKYOR153U1000	AC		C	Resistor(1/4W 10Ω) [R19]
68	OKYOR362U1000	AG		C	Resistor(1/4W 10Ω) [R20]



Index

PARTS CODE	No.	PRICE RANK	NEW MARK	PART RANK
[C]				
CCASP2121SC01	2-901	AW	N	E
CCASP2121SC02	2-901	AW	N	E
CCNW-270ASC01	1-1		N	C
CFRM-2214SC51	7-23		N	E
CHLDZ0040PS73	9-1	AR		E
CPLTP0274PS51	8-1	AL	N	C
CPLTP3084SC01	10-1	AF	N	C
CPLTP3085SC01	10-4	AT	N	C
CPLTP3085SC02	10-4	AT	N	C
CPLTP3085SC05	10-4	AT	N	C
CPLTP3088SC01	10-2	AH	N	C
CPLTP3088SC02	10-2	AH	N	C
[D]				
DCEK-224CSC01	6-29	AH	N	E
"	13-901	AH	N	E
DCEKC180NSCZZ	1-4	AH	N	E
"	11-901	AH	N	E
DCEKC388NSCZZ	1-4	AH	N	E
"	11-901	AH	N	E
DCEKC886NSCZZ	1-4	AH	N	E
"	11-901	AH	N	E
DCEKL222CSC01	1-5	BF	N	E
"	12-901	BF	N	E
DCEKP223CSC01	2-1	AH	N	E
"	15-901	AH	N	E
DHAI-0139GCZZ	7-1	AF	N	C
DUNT-205CSCZZ	10-5		N	S
DUNTK0152PSZZ	8-2	AE	N	C
DUNTK369BSCOG	10-3	AR	N	E
DUNTK369BSCWH	10-3	AR	N	E
DUNTW221CSC01	9-901	AH	N	E
[G]				
GCABA2350SCZA	1-7	AH	N	D
GCABA2350SCZZ	1-7	AU	N	D
GCABB2351SCZA	1-8	AN	N	C
GCABB2351SCZZ	1-8	AN	N	C
GCABC2352SCZA	1-9	AW	N	D
GCABC2352SCZZ	1-9	AW	N	D
GCABD2353SCZA	1-10	AP	N	D
GCABD2353SCZZ	1-10	AP	N	D
GCASP2121SCZA	2-2	AN	N	D
GCASP2121SCZZ	2-2	AN	N	D
GCOVA2418SCZA	1-11	AL	N	D
GCOVA2418SCZZ	1-11	AL	N	D
GDAI-2074XHZA	1-2	AK	N	C
GDAI-2074XHZZ	1-2	AK	N	C
GDAI-2075XHZA	1-3	AE	N	C
GDAI-2075XHZZ	1-3	AE	N	C
GLEGG2075SCZZ	6-27	AK	N	C
[H]				
HPNLH2398SCZZ	1-13	AK	N	C
[J]				
JBTN-2282SCZA	2-3	AE	N	C
JBTN-2282SCZZ	2-3	AE	N	C
JBTN-2283SCZA	2-4	AE	N	C
JBTN-2283SCZZ	2-4	AE	N	C
JBTN-2284SCZZ	2-5	AC	N	C
JBTN-2285SCZA	2-6	AC	N	C
JBTN-2285SCZZ	2-6	AC	N	C
JBTN-2286SCZA	2-7	AC	N	C
JBTN-2286SCZZ	2-7	AC	N	C
JBTN-2287SCZZ	2-8	AC	N	C
JBTN-2288SCZA	2-9	AK	N	C
JBTN-2288SCZZ	2-9	AK	N	C
JKNBZ0004GCZZ	6-1	AC	N	C
[L]				
LANGA2828SCZZ	1-14	AD	N	C
LANGA2830SCZZ	1-15	AD	N	C
LANGF2827SCZZ	3-1	AD	N	C
LANGH2829SCZZ	1-21	AG	N	C
LANGR2833SCZZ	1-25		N	C
LBNDJ2006SCZZ	1-17	AA		C
LBOSZ0058GCZ1	7-2	AE	N	C
LBSHP2121SCZZ	5-2	AB	N	C
LBSHZ2007HCZZ	1-12	AB		C
LFIK-0003GCZZ	7-3	AC		C
LFRM-0045GCZ1	8-3	AY	N	C
LFRM-2213SCZA	5-3	AQ	N	C
LFRM-2213SCZZ	5-3	AQ	N	C

PARTS CODE	No.	PRICE RANK	NEW MARK	PART RANK
LHLDZ2180XHZZ	5-4	AC		C
LHLDZ2181XHZZ	5-5	AC		C
LPLTG2707XHZZ	3-2	AE		C
LPLTM0159GCZ1	6-2	AD	N	C
LPLTM0163GCZZ	8-4	AE		C
LPLTM0273GCZZ	7-4	AF		C
LPLTM0275GCZ1	8-5	AK		C
LPLTM0282GCZZ	6-3	AD	N	C
LPLTM3083SCZZ	6-32	AP	N	C
LPLTM3090SCZZ	3-3	AG	N	C
LPLTM3091SCZZ	4-1	AD	N	C
LPLTP2790XHZZ	3-4	AD		C
LPLTP3089SCZA	1-23	AD	N	C
LPLTP3089SCZZ	1-23	AD	N	C
LPLTP3094SCZZ	4-2	AG	N	C
LSTPP0022GCZZ	1-20	AD		C
LX-BZ0030GCZZ	9-B6	AB		C
LX-BZ0187FCZ1	7-B3	AA		C
LX-BZ1006LC03	1-B8	AA	N	C
LX-BZ2138XHZZ	1-B6	AB		C
LX-BZ2205SCZZ	1-B7	AB	N	C
"	3-B2	AB	N	C
LX-BZ2252SCZZ	6-B5	AB	N	C
LX-BZ3004SC0B	9-B7	AA		C
LX-WZ0017GCZZ	7-W1	AC		C
LX-WZ0018GCZZ	7-W2	AC		C
LX-WZ0019GCZZ	7-W3	AC		C
LX-WZ0044FCZZ	8-W3	AA		C
[M]				
MARMP2025SCZZ	3-6		N	C
MLEVP0037GCZZ	6-4	AB		C
MLEVP0038GCZZ	8-7	AC		C
MLEVP0039GCZZ	8-8	AC		C
MLEVP0040GCZZ	8-9	AC		C
MLEVP0046GCZZ	7-9	AE		C
MLEVP0088GCZZ	7-10	AC		C
MLEVP0089GCZZ	8-10	AC	N	C
MLEVP0090GCZB	8-11		N	C
MLEVP0090GCYZ	8-11	AG	N	C
MLEVP0091GCZZ	8-12	AC		C
MLEVP0093GCZZ	6-5	AD	N	C
MLEVP2330SCZZ	6-36	AE	N	C
MLEVP2331SCZZ	3-7	AC	N	C
MLEVP2332SCZZ	1-6	AD	N	C
MSPRC0133GCA1	8-13	AB		C
MSPRC0135GCAZ	6-6	AB		C
MSPRC0149GCAZ	7-11	AA		C
MSPRC0155GCA2	8-14	AB		C
MSPRC0159GCAZ	7-12	AB		C
MSPRC0305GCZ2	8-16	AD	N	C
MSPRC0306GCZZ	8-17	AA	N	C
MSPRC0309GCZZ	8-18	AB	N	C
MSPRC0312GCZZ	8-19	AB		C
MSPRC0313GCZZ	8-20	AB		C
MSPRC0314GCZZ	8-21	AB	N	C
MSPRC0319GCZZ	7-13	AB	N	C
MSPRC3151SCZZ	6-7	AA	N	C
MSPRC3153SCZZ	3-8	AA	N	C
MSPRC3154SCZZ	1-47	AB	N	C
MSPRC3161SCZZ	1-26	AC	N	C
MSPRC3163SCZZ	3-9	AB	N	C
MSPRC3164SCZZ	3-10	AB	N	C
MSPRC3165SCZZ	1-27	AC	N	C
MSPRC3166SCZZ	1-28	AB	N	C
MSPRC3177SCZZ	1-42		N	C
MSPRP0158GCAZ	8-22	AB		C
MSPRP0304GCZZ	8-23	AC		C
MSPRP3054XHfJ	1-45	AD		C
MSPRP3150SCZZ	6-33	AD	N	C
MSPRP3152SCZZ	3-11	AE	N	C
MSPRT0137GCAZ	7-14	AC		C
MSPRT0307GCZZ	6-8	AA		C
MSPRT0308GCZZ	9-4	AA		C
MSPRT3162SCZZ	3-12	AB	N	C
MSPRT3168SCZZ	3-13	AC	N	C
[N]				
NBLTH0008GCA1	6-9	AC		C
NBRGC0035GCZ1	9-6	AE		C
NBRGP0082GCZZ	9-7	AB		C
NBRGP0104GCZZ	8-24	AC		C

PARTS CODE	No.	PRICE RANK	NEW MARK	PART RANK
NBRGP0105GCZZ	8-25	AC		C
NBRGP0106GCZZ	6-10	AF		C
NBRGP0108GCZZ	6-11	AD	N	C
NBRGP2141XHZZ	5-10	AH		C
NFANP0005GCZZ	6-12	AE	N	C
NGERH0071GCZZ	6-13	AC		C
NGERH0072GCZ1	6-14	AD		C
NGERH0076GCZZ	6-15	AC		C
NGERH0077GCZZ	6-16	AC		C
NGERH0078GCZZ	6-17	AC		C
NGERH0080GCZ1	7-15	AE		C
NGERH0083GCZZ	9-8	AC		C
NGERH0094GCZZ	6-18	AC		C
NGERH0096GCZZ	6-19	AC		C
NGERH0169GCZZ	8-26	AC		C
NGERH0170GCZZ	6-23	AD	N	C
NGERH0171GCZ1	6-20	AE		C
NGERH0172GCZZ	6-21	AH	N	C
NGERH0173GCZZ	6-22	AD		C
NGERH0174GCZZ	9-9	AD		C
NGERH2275XHZZ	5-11	AC		C
NGERH2277XHZZ	4-3	AC		C
NGERH2279XHZZ	4-4	AC		C
NGERH2363AXZZ	1-30	AC		C
NGERH2380XHZZ	4-5	AC		C
NGERH2395AXZZ	4-6	AD		C
NGERP2318XHZZ	1-31	AD		C
NROLM0108GCZ1	9-10	AV	N	C
NROLP0109GCZZ	6-24	AY		C
NROLP0112GCZZ	7-16	AR		C
NROLP2332XHZZ	1-46	AD		C
NROLP2334XHZA	3-14	AC		C
NROLP2442SCZZ	6-25		N	C
NROLP2443SCZZ	6-34		N	C
NROLP7046XCZZ	8-27	AX		C
NROLR2333XHZZ	1-32	AP		C
NROLR2435SCZZ	5-7	AL	N	C
NROLR2436SCZZ	5-8	AK	N	C
NSFTZ2321SCZZ	1-33	AE	N	C
NSFTZ2322SCZZ	3-15	AC	N	C
NSFTZ2323SCZZ	3-16	AC	N	C
[P]				
PBARM0001GCA1	9-12	AD		C
PBRS-2050SCZZ	3-17	AH	N	C
PCOV0038GCAZ	8-28	AA		C
PCOV0086GCZZ	6-26	AD	N	C
PCOV0091GCZZ	9-13	AW	N	C
PCOV0127SCZA	1-34	AK	N	D
PCOV0127SCZZ	1-34	AK	N	D
PCUSG2136SCZZ	6-37		N	C
PGIDM0078GCZZ	8-29	AM		C
PGIDM2583SCZZ	3-18	AK	N	C
PGIDM2584SCZA	1-22	AD	N	C
PGIDM2584SCZZ	1-22	AD	N	C
PGIDM2585SCZA	1-35	AF	N	C
PGIDM2585SCZZ	1-35	AF	N	C
PGIDM2586SCZA	1-36	AF	N	C
PGIDM2586SCZZ	1-36	AF	N	C
PGIDP2582SCZZ	3-19	AP	N	C
PGUMS2169SCZZ	1-19		N	C
PMLT-0120GCZZ	8-30	AC	N	C
PMLT-0124GCZZ	7-5	AB		C
PPIPP0003GCZ1	7-17	AC		C
PPIPP0006GCZ2	7-18	AC		C
PRNGP0088FCZZ	6-28	AB	N	C
PSHEP0161GCZ2	9-14	AC		C
PSHEP0166GCZZ	7-19	AC		C
PSHEP0320GCZ1	7-20	AF		C
PSHEZ0190GCZZ	8-32	AC		C
PSHEZ0335GCZZ	7-21	AD	N	C
PSHEZ3497SCZZ	3-20	AE	N	C
PSHEZ3498SCZZ	5-13	AD	N	C
PSHEZ3508SCZZ	1-37		N	C
PSHEZ3522SCZZ	1-38	AD	N	C
PSHEZ3528SCZZ	4-7		N	C
PSHEZ3529SCZZ	1-43		N	C
PSHEZ3530SCZZ	1-44		N	C
PSHEZ3531SCZZ	1-49		N	C
PSHEZ3534SCZZ	1-24		N	C
PSHEZ3538SCZA	1-40		N	C

PARTS CODE	No.	PRICE RANK	NEW MARK	PART RANK
PSHEZ3539SCZA	1-29		N	C
PSHEZ3540SCZZ	5-9		N	C
PSLDM2063SCZZ	1-39	AF	N	C
PSPA0049GCZZ	7-22	AC		C
PTME-0022GCZZ	9-15	AF		C
[Q]				
QACCD2027XHZZ	6-31	AR		C
QCNCM2401SC0B	11-218	AA		C
QCNCM2401SC0C	13-47	AB		C
QCNCM2436SC5J	11-216	AB		C
QCNCM2442SC0B	12-22	AB		C
QCNCM2482SC2B	11-215	AE		C
QCNCM2548SC1B	12-24	AH		C
QCNCM2575SC1B	13-53	AF		C
QCNCM7014SC0B	11-217	AD		C
QCNCM7014SC0C	11-212	AA		C
QCNCM7014SC0F	11-214	AB		C
QCNCM7014SC0G	11-211	AB		C
QCNCM7022SC0D	13-49		N	C
QCNCM7022SC0E	13-54	AB	N	C
QCNCM704BAF06	13-51	AC	N	C
QCNCW0053GCZZ	13-48	AD		C
QCNCW0946FCZZ	13-50	AH		C
QCNCW2436SC5J	13-52	AB		C
QCNCW2500SC1B	11-213	AF		C
QCNW-268ASCZZ	2-10	AN	N	C
QCNW-269ASCZZ	5-1	AG	N	C
QCNW-271ASCZZ	12-23	AC	N	C
QCNW-285ASCZZ	1-16	AH	N	C
"	3-5	AH	N	C
QCNW-289ASCOG	10-8		N	C
QCNW-289ASCOW	10-8	AG	N	C
QCNW-290ASCZZ	10-9	AE	N	C
QCNW-342ASCZZ	1-52		N	C
"	4-9		N	C
QCNW-343ASCZZ	1-41		N	C
QFS-P2010SCZZ	11-226	AD		B
QFS-T0005GCZZ	9-16	AQ		A
QJAKZ2060SC0B	12-33	AD		C
"	12-34	AD		C
QJAKZ2079XH0D	12-35	AD		C
QSLP-0028GCZZ	8-6	AE		C
QSLP-0029GCZZ	9-17	AD		C
QSLP-0030GCZZ	9-2	AD	N	C
QSLP-0032GCZZ	8-15	AD	N	C
QSOCZ2067SC42	11-237		N	C
QSW-K0005AWZZ	11-475	AC	N	C
QSW-Z2263XHZZ	12-60	AG		B
QTANN2046SCZZ	13-65	AC		C
"	13-66	AC		C
"	13-69	AC		C
"	13-72	AC		C
"	13-143	AC		C
[R]				
RC-FZ3024SCZZ	12-3	AG		C
RC-KZ0001RCZZ	11-207	AD	N	C
"	11-208	AD	N	C
"	11-209	AD	N	C
"	11-210	AD	N	C
RC-KZ1220AFZZ	11-49	AD	N	C
"	11-64	AD	N	C
"	11-73	AD	N	C
"	11-94	AD	N	C
"	11-95	AD	N	C
"	11-96	AD	N	C
"	11-102	AD	N	C
"	11-110	AD	N	C
"	11-111	AD	N	C
"	11-112	AD	N	C
"	11-136	AD	N	C
"	11-138	AD	N	C
"	11-206	AD	N	C
RCILZ0006GCZZ	11-245	AC	N	C
RCORF2124XHZZ	5-12	AE		B
RCORF2125XHZZ	1-48	AE		B
RCORF7013XCZZ	7-6	AH		B
RCRSB0297AFZZ	11-482	AD		B
RCRSQ2157SCZZ	11-478	AF		B
RCRSQ2159SCZZ	11-480	AF	N	B
RCRSQ2161SCZZ	11-477	AF	N	B

PARTS CODE	No.	PRICE RANK	NEW MARK	PART RANK
RCRSZ0028GCZZ	11-481	AH	N	B
RCRSZ7008SCZZ	11-479	AD		B
RDENT2148SCZZ	6-30	BH	N	E
"	14-901	BH	N	E
RDTCT0014GCZZ	9-3	AP		B
RFILN2027XHZZ	12-28	AC		C
"	12-29	AC		C
"	12-30	AC		C
"	12-31	AC		C
"	12-32	AC		C
RH-IX2129SCZZ	11-241	AY		B
RLMPU0021GCZZ	9-5	AX		B
RMOTN0039GCZZ	7-7	AZ		B
RMOTZ2150SCZZ	4-8	AU	N	B
RMOTZ2153SCZZ	6-35		N	B
RPLU-0004GCZZ	7-8	AN		C
RR-DZ1115AFZZ	11-2	AC	N	C
"	11-3	AC	N	C
"	11-4	AC	N	C
"	11-5	AC	N	C
"	11-11	AC	N	C
"	11-12	AC	N	C
"	11-13	AC	N	C
"	11-14	AC	N	C
"	11-18	AC	N	C
"	11-19	AC	N	C
"	11-20	AC	N	C
"	11-26	AC	N	C
"	11-27	AC	N	C
"	11-28	AC	N	C
"	11-29	AC	N	C
RR-TZ3012SC10	11-15	AB	N	C
RR-TZ3016SCZZ	11-6	AA		C
"	11-7	AA		C
"	11-8	AA		C
"	11-9	AA		C
"	11-10	AA		C
"	11-21	AA		C
"	11-22	AA		C
"	11-23	AA		C
"	11-24	AA		C
RR-TZ3017SCZZ	11-16	AC		C
RR-TZ3018SCZZ	11-17	AC		C
"	11-25	AC		C
RRLYD3433XHZZ	12-21	AH		B
RTRN2164XHZZ	12-61	AG		B
RTRNZ0021GCZZ	13-142	AL	N	B
RTRNZ0022GCZ1	13-141	AL	N	B
RUNTZ2057SCZZ	5-6		N	E
RVR-M1615QCZZ	13-144	AC	N	C
RVR-M251AQCZZ	13-145	AC	N	C
[S]				
SPAKA315BSCZZ	10-10	AK	N	D
SPAKA316BSCZZ	10-11	AK	N	D
SPAKA317BSCZZ	10-12	AE	N	D
SPAKC319BSCZZ	10-13	BS	N	D
SPAKC391BSCZZ	10-13		N	D
SPAKC455BSCZZ	10-13		N	D
SPAKP355BSCZZ	10-14	AE	N	D
SSAKA2340QCZZ	10-15	AA		D
SSAKA3001CCZZ	10-16	AA		D
[T]				
TCAUH0992FCZZ	9-11	AE		D
TCAUS2034SCZZ	1-18		N	D
TINSE4086SCZZ	10-18	AG	N	D
TINSE4094SCZZ	10-18		N	D
TINSK4119SCZZ	10-18		N	D
TLABG443BSCZZ	1-50		N	D
TLABH312BSCZZ	10-19	AF	N	D
TLABM307BSCZZ	10-20	AD	N	D
TLABM311BSCZA	10-6	AE	N	D
TLABM311BSCZZ	10-6	AE	N	D
TLABM459BSCZZ	10-20		N	D
TLABS442BSCZZ	1-51		N	D
TLABZ308BSCZZ	10-17	AE	N	D
TLABZ3405FCZZ	11-484	AB	N	D
[U]				
UBATL2049SCZZ	11-1	AF		B
UDSKA2024SCZZ	10-7	AK	N	E

PARTS CODE	No.	PRICE RANK	NEW MARK	PART RANK
[V]				
VCCCPA1HH330J	12-10	AA		C
VCCCTV1HH120J	11-104	AA		C
"	11-126	AA		C
"	11-164	AA		C
VCCCTV1HH150J	11-166	AA		C
"	11-198	AA		C
"	11-199	AA		C
VCCCTV1HH180J	11-53	AA		C
"	11-54	AA		C
"	11-55	AA		C
"	11-56	AA		C
"	11-57	AA		C
"	11-58	AA		C
"	11-59	AA		C
"	11-60	AA		C
"	11-61	AA		C
"	11-62	AA		C
"	11-63	AA		C
"	11-82	AA		C
"	11-83	AA		C
"	11-84	AA		C
"	11-85	AA		C
"	11-86	AA		C
"	11-87	AA		C
"	11-88	AA		C
"	11-90	AA		C
"	11-91	AA		C
"	11-92	AA		C
"	11-93	AA		C
"	11-174	AA		C
"	11-175	AA		C
"	11-176	AA		C
VCCCTV1HH270J	11-97	AC		C
"	11-98	AC		C
VCCCTV1HH300J	11-134	AA		C
"	11-135	AA		C
VCCCTV1HH330J	11-101	AA		C
VCCCTV1HH470J	11-156	AA		C
"	11-178	AA		C
"	11-185	AA		C
"	11-195	AA		C
VCCSTV1HL101J	11-161	AA	N	C
"	11-162	AA	N	C
"	11-167	AA	N	C
"	11-168	AA	N	C
"	11-173	AA	N	C
"	11-183	AA	N	C
VCCSTV1HL331J	11-107	AA		C
"	11-145	AA		C
VCCSTV1HL471J	11-142	AC		C
"	11-184	AC		C
VCCSTV1HL681J	11-197	AB		C
VCEAEA1CW336M	11-44	AB		C
VCEAEA1CW476M	11-42	AA		C
"	11-43	AA		C
VCEAGA1CW476M	11-34	AB		C
"	11-35	AB		C
"	11-36	AB		C
"	11-39	AB		C
"	11-40	AB		C
VCEAGA1HW105M	11-37	AB		C
VCEAGA1HW106M	12-6	AA		C
VCEAGA1HW107M	11-41	AA		C
VCEAGA1HW225M	12-15	AA		C
VCEAGA1HW226M	12-13	AB		C
"	12-17	AB		C
VCEAGA1HW475M	11-38	AA		C
"	12-8	AA		C
"	12-12	AA		C
"	12-20	AA		C
VCEAGA1VW476M	13-1	AB		C
"	13-2	AB		C
"	13-25	AB		C
"	13-45	AB		C
VCEAJA1HW106M	11-31	AB		C
"	11-32	AB		C
"	11-33	AB		C
VCEAJA1HW475M	11-30	AB	N	C
VCKYPA1HB101K	13-13	AA	N	C

PARTS CODE	No.	PRICE RANK	NEW MARK	PART RANK
VCKYPA1HB101K	13-15	AA	N	C
"	13-16	AA	N	C
"	13-17	AA	N	C
"	13-27	AA	N	C
"	13-42	AA	N	C
VCKYPA1HB102K	12-4	AA		C
"	12-5	AA		C
"	12-9	AA		C
"	12-16	AA		C
"	12-18	AA		C
"	13-5	AA		C
"	13-6	AA		C
"	13-7	AA		C
"	13-8	AA		C
"	13-12	AA		C
"	13-21	AA		C
"	13-22	AA		C
"	13-30	AA		C
"	13-43	AA		C
"	13-44	AA		C
VCKYPA1HB103K	12-2	AA		C
VCKYPA1HB221K	12-11	AA		C
VCKYPA1HB222K	12-14	AA		C
"	12-19	AA		C
VCKYPA1HB331K	13-9	AA		C
"	13-11	AA		C
VCKYPA1HB391K	13-3	AA		C
"	13-18	AA		C
"	13-26	AA		C
"	13-28	AA		C
"	13-37	AA		C
VCKYPA1HF223Z	12-7	AA		C
VCKYQY3AB102K	13-36	AC		C
"	13-38	AC		C
"	13-40	AC		C
VCKYQY3DB151K	13-39	AC		C
VCKYQY3FB102K	13-32	AD		C
VCKYQY3JB102K	13-33	AD	N	C
"	13-34	AD	N	C
"	13-35	AD	N	C
VCKYTV1CF105Z	11-70	AB		C
"	11-71	AB		C
"	11-74	AB		C
"	11-75	AB		C
"	11-76	AB		C
"	11-77	AB		C
"	11-103	AB		C
"	11-105	AB		C
"	11-106	AB		C
"	11-121	AB		C
"	11-124	AB		C
"	11-125	AB		C
"	11-128	AB		C
"	11-129	AB		C
"	11-137	AB		C
"	11-144	AB		C
"	11-147	AB		C
"	11-148	AB		C
"	11-154	AB		C
"	11-165	AB		C
"	11-180	AB		C
"	11-181	AB		C
"	11-182	AB		C
"	11-186	AB		C
VCKYTV1EB103K	11-122	AA	N	C
VCKYTV1EB104K	11-72	AA		C
"	11-100	AA		C
"	11-119	AA		C
"	11-120	AA		C
VCKYTV1EF104Z	11-47	AA		C
"	11-48	AA		C
"	11-52	AA		C
"	11-78	AA		C
"	11-79	AA		C
"	11-80	AA		C
"	11-81	AA		C
"	11-89	AA		C
"	11-99	AA		C
"	11-108	AA		C
"	11-109	AA		C

PARTS CODE	No.	PRICE RANK	NEW MARK	PART RANK
VCKYTV1EF104Z	11-127	AA		C
"	11-141	AA		C
"	11-157	AA		C
"	11-158	AA		C
"	11-159	AA		C
"	11-163	AA		C
"	11-169	AA		C
"	11-170	AA		C
"	11-171	AA		C
"	11-172	AA		C
"	11-187	AA		C
"	11-189	AA		C
"	11-191	AA		C
"	11-196	AA		C
"	11-200	AA		C
"	11-204	AA		C
"	11-205	AA		C
VCKYTV1HB102K	11-45	AA		C
"	11-113	AA		C
"	11-131	AA		C
"	11-132	AA		C
"	11-139	AA		C
"	11-140	AA		C
"	11-143	AA		C
"	11-150	AA		C
"	11-151	AA		C
"	11-152	AA		C
"	11-153	AA		C
"	11-155	AA		C
"	11-160	AA		C
"	11-177	AA		C
"	11-194	AA		C
VCKYTV1HB103K	11-50	AB		C
"	11-51	AB		C
"	11-188	AB		C
VCKYTV1HB222K	11-65	AA		C
"	11-66	AA		C
"	11-67	AA		C
"	11-68	AA		C
"	11-69	AA		C
"	11-114	AA		C
"	11-123	AA		C
"	11-130	AA		C
"	11-133	AA		C
"	11-149	AA		C
VCKYTV1HB472K	11-115	AA		C
"	11-116	AA		C
"	11-117	AA		C
"	11-118	AA		C
"	11-146	AA		C
"	11-192	AA		C
"	11-193	AA		C
"	11-202	AA		C
"	11-203	AA		C
VCKYTV1HF104Z	11-46	AA		C
"	11-179	AA		C
"	11-190	AA		C
"	11-201	AA		C
VCQYNA1HM153K	13-20	AB		C
VCQYNA1HM222K	13-31	AA		C
VCQYNA1HM472K	13-14	AA		C
"	13-19	AA		C
VCTYPA1HF104Z	13-4	AC		C
"	13-10	AC		C
"	13-23	AC		C
"	13-24	AC		C
"	13-29	AC		C
"	13-41	AC		C
"	13-46	AC		C
VHDDAP202U/-1	11-219	AB		B
VHDDA204K/-1	11-224	AC		B
"	11-225	AC		B
VHDDSM1D1/-1	13-55	AB		B
"	13-58	AB		B
VHDDSS133/-1	12-25	AA		B
"	12-26	AA		B
"	13-64	AA		B
VHDHRW0502A-1	11-223	AD		B
VHDSHV02/-1	13-63	AD		B
VHDSHV03/-1	13-59	AE		B

PARTS CODE	No.	PRICE RANK	NEW MARK	PART RANK
VHDSHV03/-1	13-60	AE		B
VHDSHV06NK/-1	13-56	AE		B
"	13-57	AE		B
"	13-61	AE		B
"	13-62	AE		B
VHD1SS355/-1	11-220	AB		B
"	11-221	AB		B
"	11-222	AB		B
VHED2.4ESAB11	13-146	AC		B
"	13-149	AC		B
VHEHZ2C1/-1	12-64	AA		B
"	12-65	AA		B
"	12-67	AA		B
"	12-68	AA		B
VHEHZ27-1/-1	12-66	AB		B
VHERD100E/-1	13-151	AC	N	B
"	13-152	AC	N	B
VHERD22FB3/-1	11-483	AC		B
VHERD30JSAB21	13-147	AC		B
"	13-148	AC		B
VHE1ZB200Y/-1	13-150	AF		B
VHH103AT-2B-1	11-476	AF		B
VHIA2918SWH//	13-71	AR	N	B
VHIBU4066BCF1	11-228	AD		B
VHIFM214/-1	11-233	BE	N	B
VHICF4053M1T	11-232	AG		B
VHILC82103/-1	11-229	BA		B
VHILR38784/-1	11-239		N	B
VHINJM2113M-1	11-234	AG		B
VHINJM2902M-1	11-227	AF		B
VHINJM2904D-1	12-27	AG		B
VHIPST596CMT1	11-243	AF		B
VHISH7041/28A	11-230		N	B
VHISM8578BV-1	11-240	AK		B
VHIULN2003AN/	11-231	AE		B
"	13-70	AE		B
VHIW24010S7LE	11-244	AZ		B
VHI1M16E/J-6	11-235	AZ		B
"	11-236	AZ		B
VHI27080FAM0D	11-238		N	B
VHI27080FAN0B	11-238		N	B
VHI27080FAP0A	11-238		N	B
VHI62FP332P-1	11-474	AF		B
VHI74HCU04S-1	11-242	AF		B
VHPPC814X/-1	12-37	AE		B
VHPSG206S/-1	13-73	AG		B
"	13-74	AG		B
VHPTLP521-1BL	12-36	AE		B
VHVERZV5D471/	12-62	AC		B
"	12-63	AC		B
VHVICPN10/-1	13-67	AD		C
VHVICPN25/-1	13-68	AD		C
VHVRA391PV6-1	12-1	AE		B
VRD-HT2EY000J	13-140	AA		C
VRD-HT2EY100J	11-251	AA		C
VRD-HT2EY102J	12-52	AA		C
"	12-54	AA		C
"	12-57	AA		C
"	13-124	AA		C
"	13-125	AA		C
VRD-HT2EY103J	13-93	AA		C
"	13-98	AA		C
"	13-101	AA		C
"	13-109	AA		C
"	13-116	AA		C
VRD-HT2EY104J	13-110	AA		C
VRD-HT2EY105J	13-118	AA		C
"	13-131	AA		C
VRD-HT2EY113J	12-55	AA		C
VRD-HT2EY122J	13-86	AA		C
"	13-87	AA		C
"	13-88	AA		C
"	13-89	AA		C
"	13-90	AA		C
"	13-91	AA		C
"	13-92	AA		C
"	13-102	AA		C
"	13-103	AA		C
"	13-104	AA		C
"	13-105	AA		C

PARTS CODE	No.	PRICE RANK	NEW MARK	PART RANK
VRD-HT2EY122J	13-106	AA		C
"	13-107	AA		C
VRD-HT2EY151J	12-59	AA		C
VRD-HT2EY152J	12-46	AA	N	C
"	12-48	AA	N	C
VRD-HT2EY153J	13-97	AA		C
"	13-127	AA		C
VRD-HT2EY163J	12-53	AA	N	C
VRD-HT2EY203J	13-95	AA		C
"	13-99	AA		C
"	13-100	AA		C
"	13-112	AA		C
VRD-HT2EY221J	13-108	AA		C
"	13-122	AA		C
VRD-HT2EY223J	12-44	AA		C
VRD-HT2EY300J	12-42	AA		C
VRD-HT2EY332J	12-50	AA		C
"	12-56	AA		C
VRD-HT2EY334J	13-121	AA	N	C
VRD-HT2EY392J	13-94	AA		C
VRD-HT2EY393J	12-51	AA	N	C
VRD-HT2EY472J	13-84	AA		C
"	13-96	AA		C
"	13-128	AA		C
VRD-HT2EY473J	12-58	AA		C
"	13-85	AA		C
VRD-HT2EY474J	13-117	AA	N	C
VRD-HT2EY512J	13-119	AA	N	C
"	13-129	AA	N	C
VRD-HT2EY513J	12-47	AA		C
VRD-HT2EY561J	13-120	AA		C
"	13-130	AA		C
VRD-HT2EY620J	13-114	AA		C
"	13-135	AA		C
VRD-HT2EY621J	12-49	AA		C
VRD-HT2EY681J	13-115	AA		C
VRD-HT2EY910J	12-43	AA		C
VRD-HT2HY223J	12-45	AA		C
VRD-HT2HY3R0J	13-113	AB		C
"	13-134	AB		C
VRH-PT2HF395J	13-133	AC	N	C
VRHAKU2HD107J	13-137	AF	N	C
VRHAKU2HD207J	13-138	AF	N	C
VRHAKU2HD825J	13-139	AF	N	C
VRHDPT3AF395J	13-132	AD	N	C
VRHYKU3AD257K	13-136	AH		C
VRNHT2EK1102F	13-111	AA		C
VRS-HT3AAR56J	13-123	AB	N	C
"	13-126	AB	N	C
VRS-TS2AD000J	11-255	AA		C
"	11-259	AA		C
"	11-271	AA		C
"	11-273	AA		C
"	11-278	AA		C
"	11-279	AA		C
"	11-287	AA		C
"	11-304	AA		C
"	11-311	AA		C
"	11-313	AA		C
"	11-316	AA		C
"	11-330	AA		C
"	11-331	AA		C
"	11-332	AA		C
"	11-335	AA		C
"	11-339	AA		C
"	11-341	AA		C
"	11-344	AA		C
"	11-346	AA		C
"	11-373	AA		C
"	11-405	AA		C
"	11-410	AA		C
"	11-411	AA		C
"	11-412	AA		C
"	11-421	AA		C
"	11-422	AA		C
"	11-423	AA		C
"	11-424	AA		C
"	11-426	AA		C
"	11-445	AA		C
"	11-449	AA		C

PARTS CODE	No.	PRICE RANK	NEW MARK	PART RANK
VRS-TS2AD000J	11-450	AA		C
"	11-462	AA		C
"	11-463	AA		C
"	11-466	AA		C
"	11-467	AA		C
"	11-468	AA		C
"	11-469	AA		C
"	11-473	AA		C
VRS-TS2AD101J	11-261	AA		C
"	11-268	AA		C
"	11-269	AA		C
"	11-270	AA		C
"	11-280	AA		C
"	11-282	AA		C
"	11-288	AA		C
"	11-293	AA		C
"	11-296	AA		C
"	11-297	AA		C
"	11-298	AA		C
"	11-314	AA		C
"	11-315	AA		C
"	11-320	AA		C
"	11-329	AA		C
"	11-371	AA		C
"	11-376	AA		C
"	11-380	AA		C
"	11-381	AA		C
"	11-382	AA		C
"	11-383	AA		C
"	11-414	AA		C
"	11-417	AA		C
"	11-427	AA		C
"	11-428	AA		C
"	11-452	AA		C
"	11-456	AA		C
VRS-TS2AD102J	11-276	AA	N	C
"	11-300	AA	N	C
"	11-350	AA	N	C
"	11-360	AA	N	C
"	11-395	AA	N	C
VRS-TS2AD103J	11-258	AA		C
"	11-263	AA		C
"	11-272	AA		C
"	11-283	AA		C
"	11-291	AA		C
"	11-305	AA		C
"	11-306	AA		C
"	11-312	AA		C
"	11-318	AA		C
"	11-327	AA		C
"	11-336	AA		C
"	11-348	AA		C
"	11-354	AA		C
"	11-355	AA		C
"	11-358	AA		C
"	11-367	AA		C
"	11-385	AA		C
"	11-408	AA		C
"	11-409	AA		C
"	11-440	AA		C
"	11-442	AA		C
"	11-443	AA		C
"	11-454	AA		C
"	11-455	AA		C
"	11-464	AA		C
"	11-470	AA		C
"	11-471	AA		C
"	11-472	AA		C
VRS-TS2AD104J	11-363	AA		C
VRS-TS2AD105J	11-286	AA		C
"	11-345	AA		C
"	11-375	AA		C
"	11-406	AA		C
VRS-TS2AD113J	11-338	AA		C
VRS-TS2AD124J	11-284	AA		C
VRS-TS2AD152J	11-252	AA		C
"	11-275	AA		C
VRS-TS2AD154J	11-362	AA		C
VRS-TS2AD201J	11-342	AG		C
"	11-357	AG		C

PARTS CODE	No.	PRICE RANK	NEW MARK	PART RANK
VRS-TS2AD201J	11-384	AG		C
"	11-425	AG		C
VRS-TS2AD202J	11-365	AA		C
"	11-446	AA		C
VRS-TS2AD203J	11-337	AA		C
"	11-364	AA		C
"	11-397	AA		C
"	11-404	AA		C
VRS-TS2AD222J	11-256	AA		C
"	11-277	AA		C
"	11-303	AA		C
"	11-451	AA		C
VRS-TS2AD271J	11-289	AA		C
"	11-290	AA		C
"	11-295	AA		C
"	11-317	AA		C
"	11-319	AA		C
"	11-377	AA		C
"	11-378	AA		C
"	11-447	AA		C
VRS-TS2AD273J	11-310	AA		C
VRS-TS2AD302J	11-334	AA		C
"	11-359	AA		C
"	11-379	AA		C
VRS-TS2AD330J	11-262	AA		C
"	11-264	AA		C
"	11-265	AA		C
"	11-292	AA		C
"	11-328	AA		C
"	11-349	AA		C
"	11-353	AA		C
"	11-356	AA		C
"	11-400	AA		C
"	11-401	AA		C
"	11-402	AA		C
"	11-413	AA		C
"	11-413	AA		C
"	11-434	AA		C
"	11-435	AA		C
"	11-448	AA		C
VRS-TS2AD332J	11-301	AA		C
"	11-302	AA		C
"	11-441	AA		C
"	11-444	AA		C
VRS-TS2AD333J	11-285	AA		C
"	11-398	AA		C
"	11-399	AA		C
VRS-TS2AD392J	11-403	AA		C
VRS-TS2AD394J	11-333	AA		C
VRS-TS2AD470J	11-386	AA		C
"	11-387	AA		C
"	11-388	AA		C
"	11-389	AA		C
"	11-390	AA		C
"	11-391	AA		C
"	11-392	AA		C
"	11-393	AA		C
"	11-394	AA		C
"	11-415	AA		C
"	11-416	AA		C
"	11-418	AA		C
"	11-419	AA		C
"	11-429	AA		C
"	11-430	AA		C
"	11-431	AA		C
"	11-432	AA		C
VRS-TS2AD471J	11-321	AA		C
"	11-322	AA		C
"	11-351	AA		C
"	11-352	AA		C
"	11-366	AA		C
"	11-368	AA		C
"	11-369	AA		C
"	11-370	AA		C
"	11-374	AA		C
VRS-TS2AD472J	11-299	AA		C
"	11-361	AA		C
"	11-407	AA		C
"	11-437	AA		C
"	11-438	AA		C



UX-4000MU  
FO-2950MU/C

**M E M O**



### CAUTION FOR BATTERY REPLACEMENT

- (Danish)                      ADVARSEL !  
Lithiumbatteri-Eksplosionsfare ved fejlagtig håndtering.  
Udskiftning må kun ske med batteri  
af samme fabrikat og type.  
Levér det brugte batteri tilbage til leverandoren.
- (English)                      Caution !  
Danger of explosion if battery is incorrectly replaced.  
Replace only with the same or equivalent type  
recommended by the equipment manufacturer.  
Discard used batteries according to manufacturer's instructions.
- (Finnish)                      VAROITUS  
Paristo voi räjähtää, jos se on virheellisesti asennettu.  
Vaihda paristo ainoastaan laitevalmistajan suosittelemaan  
tyyppiin. Hävitä käytetty paristo valmistajan ohjeiden  
mukaisesti.
- (French)                      ATTENTION  
Il y a danger d'explosion s' il y a remplacement incorrect  
de la batterie. Remplacer uniquement avec une batterie du  
même type ou d'un type recommandé par le constructeur.  
Mettre au rebut les batteries usagées conformément aux  
instructions du fabricant.
- (Swedish)                      VARNING  
Explosionsfare vid felaktigt batteribyte.  
Använd samma batterityp eller en ekvivalent  
typ som rekommenderas av apparattillverkaren.  
Kassera använt batteri enligt fabrikantens  
instruktion.
- (German)                      Achtung  
Explosionsgefahr bei Verwendung inkorrektter Batterien.  
Als Ersatzbatterien dürfen nur Batterien vom gleichen Typ oder  
vom Hersteller empfohlene Batterien verwendet werden.  
Entsorgung der gebrauchten Batterien nur nach den vom  
Hersteller angegebenen Anweisungen.

# SHARP

**COPYRIGHT © 2000 BY SHARP CORPORATION**

**ALL RIGHTS RESERVED.**

No part of this publication may be reproduced, stored in a retrieval system, or transmitted in any form or by any means, electronic, mechanical, photocopying, recording, or otherwise, without prior written permission of the publisher.

**SHARP CORPORATION**  
**Communication Systems Group**  
**Quality & Reliability Control Center**  
**Higashihiroshima, Hiroshima 739-0192, Japan**  
**Printed in U.S.A**

**A0003-2075SS•IS•C**